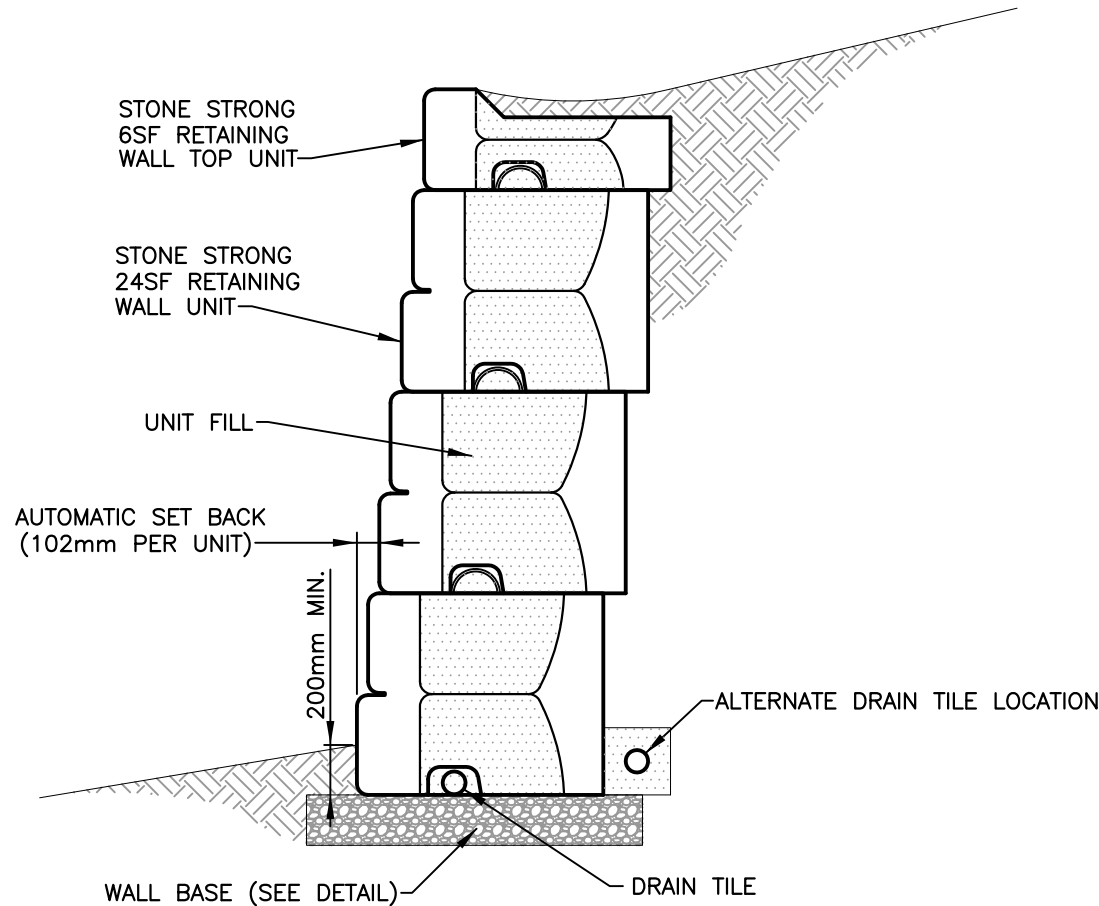


**NOTES:**

1. DRAIN TILE MAY BE ELIMINATED AT THE DISCRETION OF THE SITE ENGINEER.
2. DAYLIGHT DRAIN TILE AT LOW POINTS THROUGH WALL FACE OR AT ENDS; MAXIMUM SPACING 30m OR PER SITE CONDITIONS.



## GRAVITY WALL CROSS SECTION

NOT TO SCALE

**DISCLAIMER:**

These typical details are preliminary and conceptual in nature. They are provided for general information purposes only. Anyone making use of these details and related information does so at their own risk and assumes all liability for such use. Site specific design should be performed by a licensed Professional Engineer based on actual site conditions, materials, and local practices.

Stone Strong LLC retains all common law, statutory, and other reserved rights to these drawings including the copyright. Limited license is granted to copy, reproduce, or modify the details to prepare construction drawings for Stone Strong retaining walls. Stone Strong LLC makes no warranties, either expressed or implied, of merchantability or fitness for any particular purpose, and accepts no responsibility for the accuracy, suitability, or completeness of information contained herein.



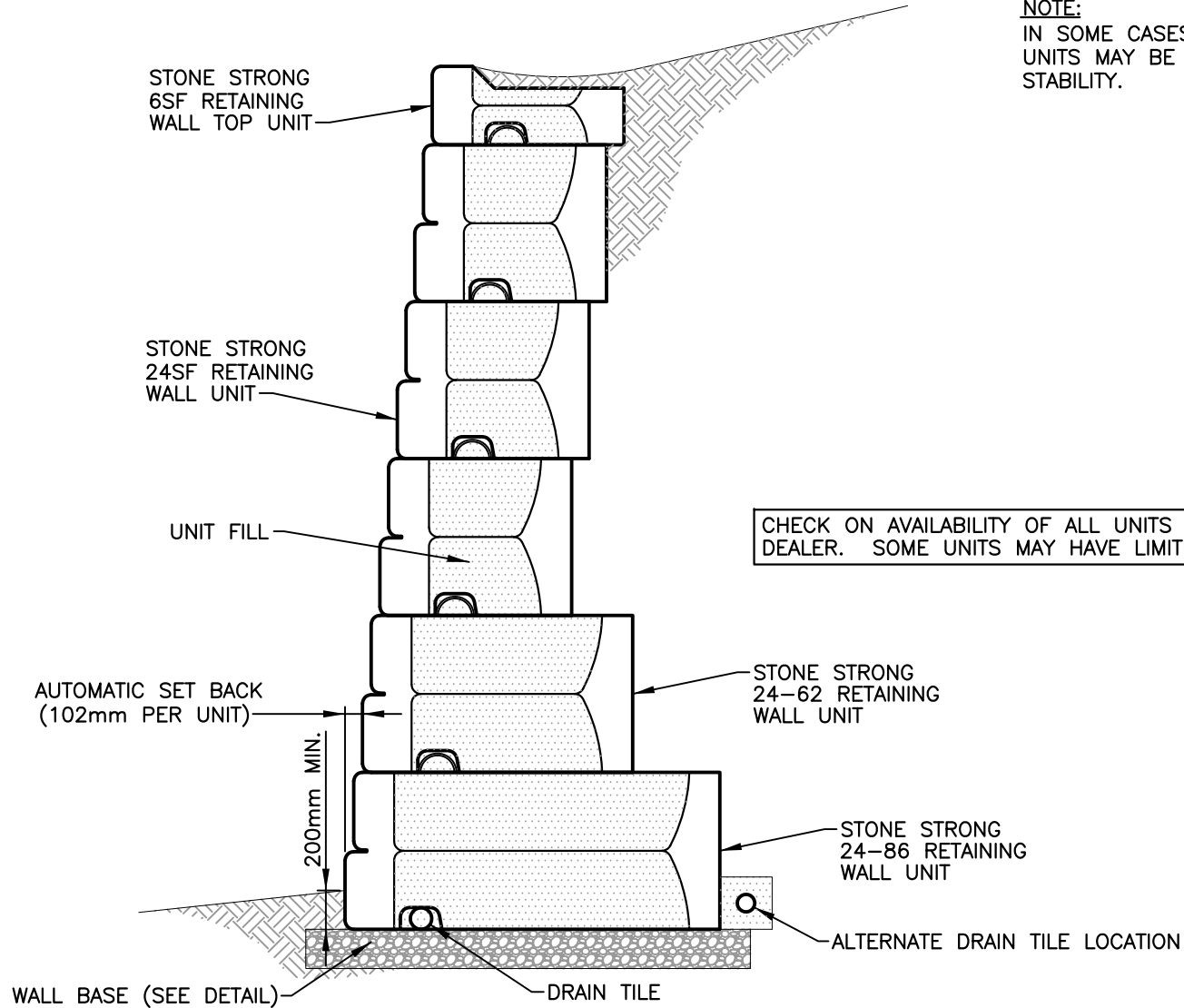
[www.stonestrong.com](http://www.stonestrong.com)

PROJECT

CROSS SECTIONS  
STONE STRONG SYSTEMS

DATE: 2/10/16 FILE: 01\_24sf.XSec.Grav

**NOTE:**  
 IN SOME CASES, TWO 24-62 OR 24-86  
 UNITS MAY BE REQUIRED FOR INTERNAL  
 STABILITY.



CHECK ON AVAILABILITY OF ALL UNITS w/ LOCAL PRODUCER/  
 DEALER. SOME UNITS MAY HAVE LIMITED AVAILABILITY.

## GRAVITY WALL CROSS SECTION w/EXTENDED BASE UNITS

NOT TO SCALE

**DISCLAIMER:**

These typical details are preliminary and conceptual in nature. They are provided for general information purposes only. Anyone making use of these details and related information does so at their own risk and assumes all liability for such use. Site specific design should be performed by a licensed Professional Engineer based on actual site conditions, materials, and local practices.

Stone Strong LLC retains all common law, statutory, and other reserved rights to these drawings including the copyright. Limited license is granted to copy, reproduce, or modify the details to prepare construction drawings for Stone Strong retaining walls. Stone Strong LLC makes no warranties, either expressed or implied, of merchantability or fitness for any particular purpose, and accepts no responsibility for the accuracy, suitability, or completeness of information contained herein.

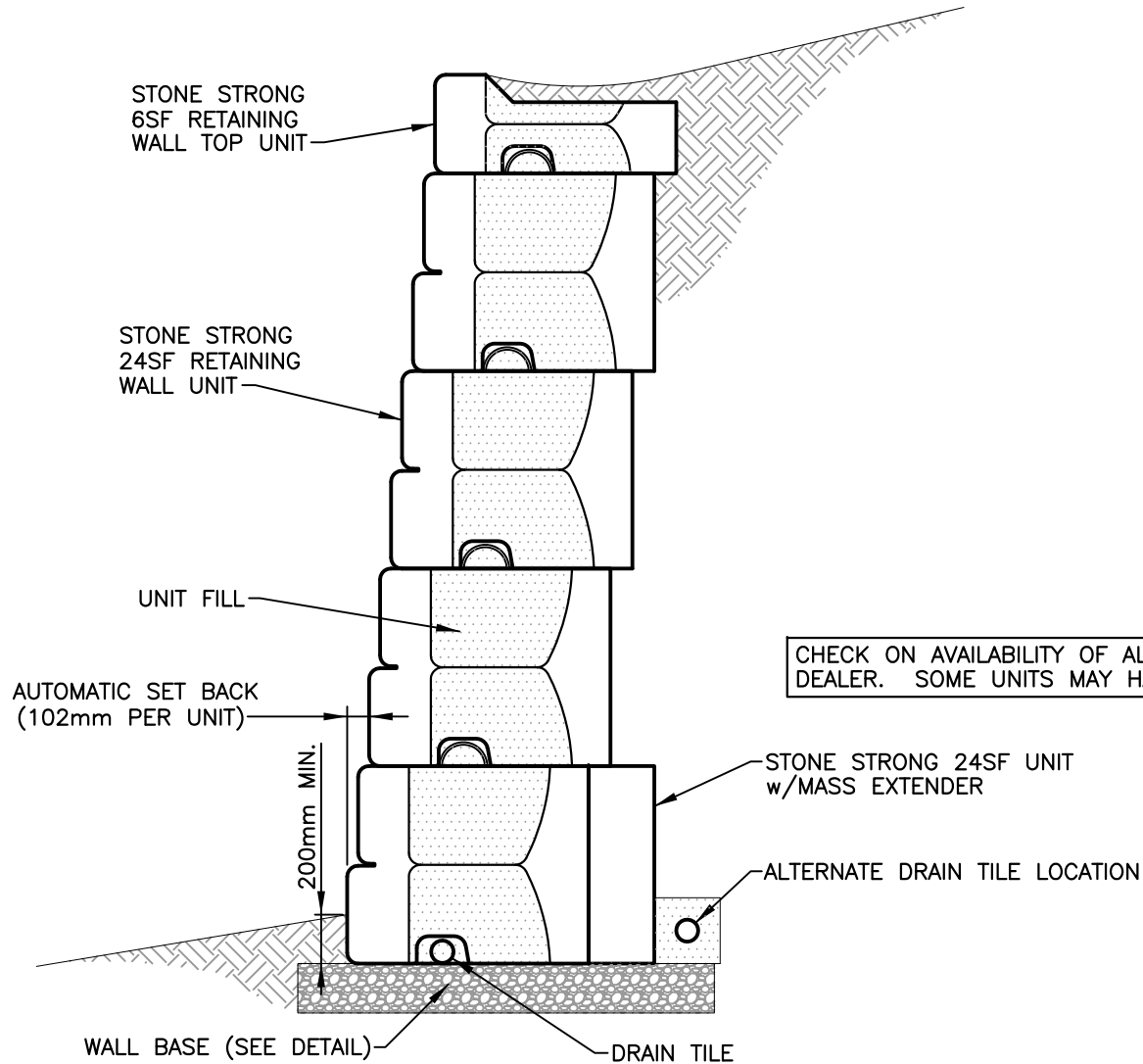


www.stonestrong.com

PROJECT

CROSS SECTIONS  
 STONE STRONG SYSTEMS

DATE: 2/10/16 | FILE: 02\_HD Sect



## GRAVITY WALL CROSS SECTION w/MASS EXTENDER

NOT TO SCALE

**DISCLAIMER:**

These typical details are preliminary and conceptual in nature. They are provided for general information purposes only. Anyone making use of these details and related information does so at their own risk and assumes all liability for such use. Site specific design should be performed by a licensed Professional Engineer based on actual site conditions, materials, and local practices.

Stone Strong LLC retains all common law, statutory, and other reserved rights to these drawings including the copyright. Limited license is granted to copy, reproduce, or modify the details to prepare construction drawings for Stone Strong retaining walls. Stone Strong LLC makes no warranties, either expressed or implied, of merchantability or fitness for any particular purpose, and accepts no responsibility for the accuracy, suitability, or completeness of information contained herein.

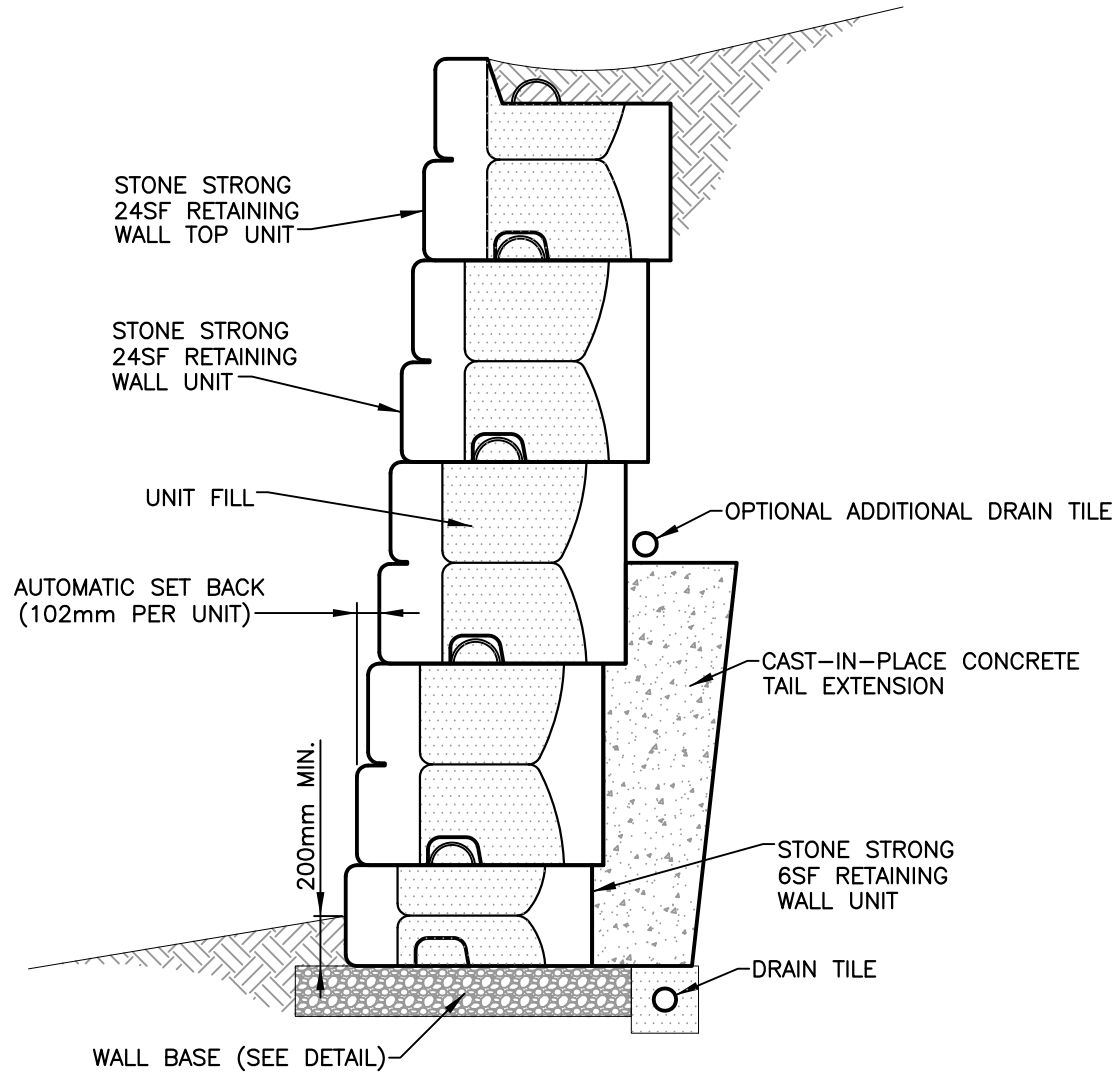


[www.stonestrong.com](http://www.stonestrong.com)

PROJECT

CROSS SECTIONS  
STONE STRONG SYSTEMS

DATE: 2/10/16 | FILE: 03\_24sf.XSec.Mass



## GRAVITY WALL CROSS SECTION w/CONCRETE TAIL EXTENSION

NOT TO SCALE

**DISCLAIMER:**

These typical details are preliminary and conceptual in nature. They are provided for general information purposes only. Anyone making use of these details and related information does so at their own risk and assumes all liability for such use. Site specific design should be performed by a licensed Professional Engineer based on actual site conditions, materials, and local practices.

Stone Strong LLC retains all common law, statutory, and other reserved rights to these drawings including the copyright. Limited license is granted to copy, reproduce, or modify the details to prepare construction drawings for Stone Strong retaining walls. Stone Strong LLC makes no warranties, either expressed or implied, of merchantability or fitness for any particular purpose, and accepts no responsibility for the accuracy, suitability, or completeness of information contained herein.



[www.stonestrong.com](http://www.stonestrong.com)

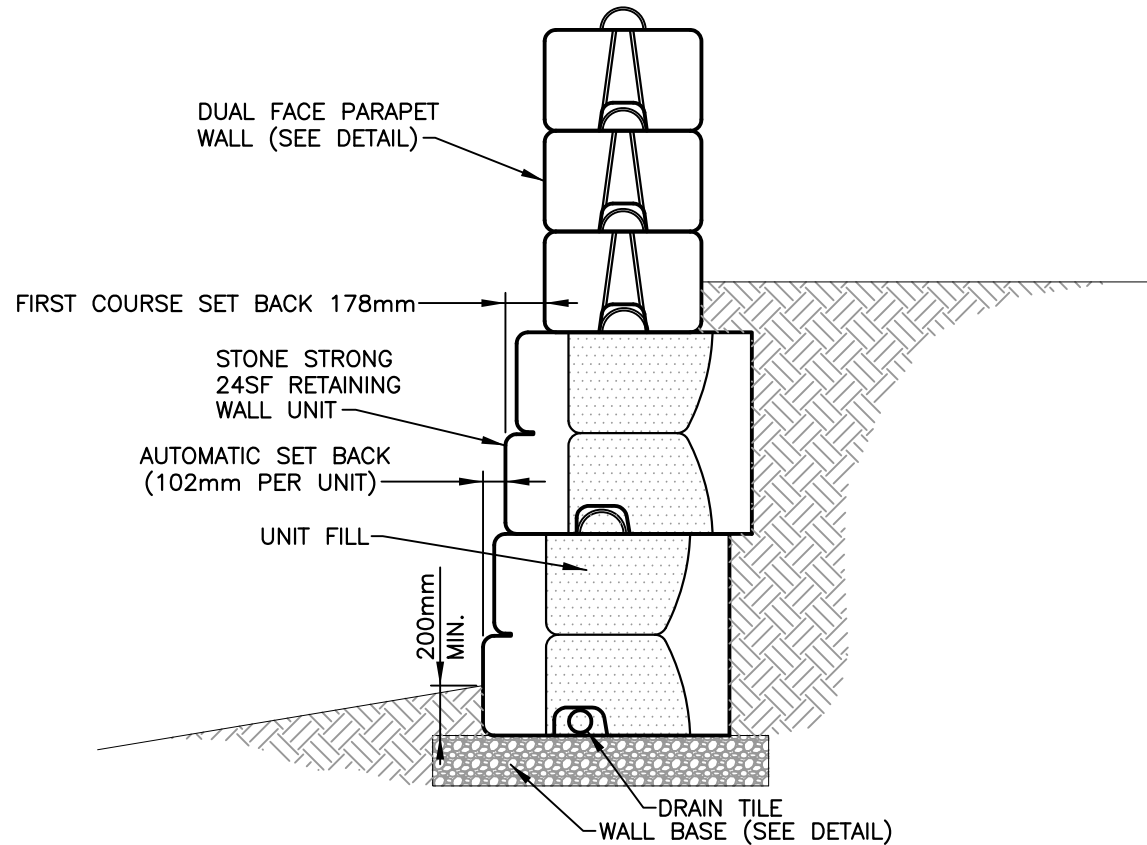
PROJECT

CROSS SECTIONS  
STONE STRONG SYSTEMS

DATE: 2/10/16

FILE: 04\_24sf.XSec.CIP

**NOTE:**  
 USER SHOULD DETERMINE  
 CAPABILITY OR SUITABILITY OF  
 PARAPET FOR BARRIER LOADING



**GRAVITY WALL CROSS SECTION w/DUAL FACE PARAPET WALL**  
 NOT TO SCALE

CHECK ON AVAILABILITY OF ALL UNITS w/ LOCAL PRODUCER/ DEALER. SOME UNITS MAY HAVE LIMITED AVAILABILITY.

**DISCLAIMER:**

These typical details are preliminary and conceptual in nature. They are provided for general information purposes only. Anyone making use of these details and related information does so at their own risk and assumes all liability for such use. Site specific design should be performed by a licensed Professional Engineer based on actual site conditions, materials, and local practices.

Stone Strong LLC retains all common law, statutory, and other reserved rights to these drawings including the copyright. Limited license is granted to copy, reproduce, or modify the details to prepare construction drawings for Stone Strong retaining walls. Stone Strong LLC makes no warranties, either expressed or implied, of merchantability or fitness for any particular purpose, and accepts no responsibility for the accuracy, suitability, or completeness of information contained herein.



www.stonestrong.com

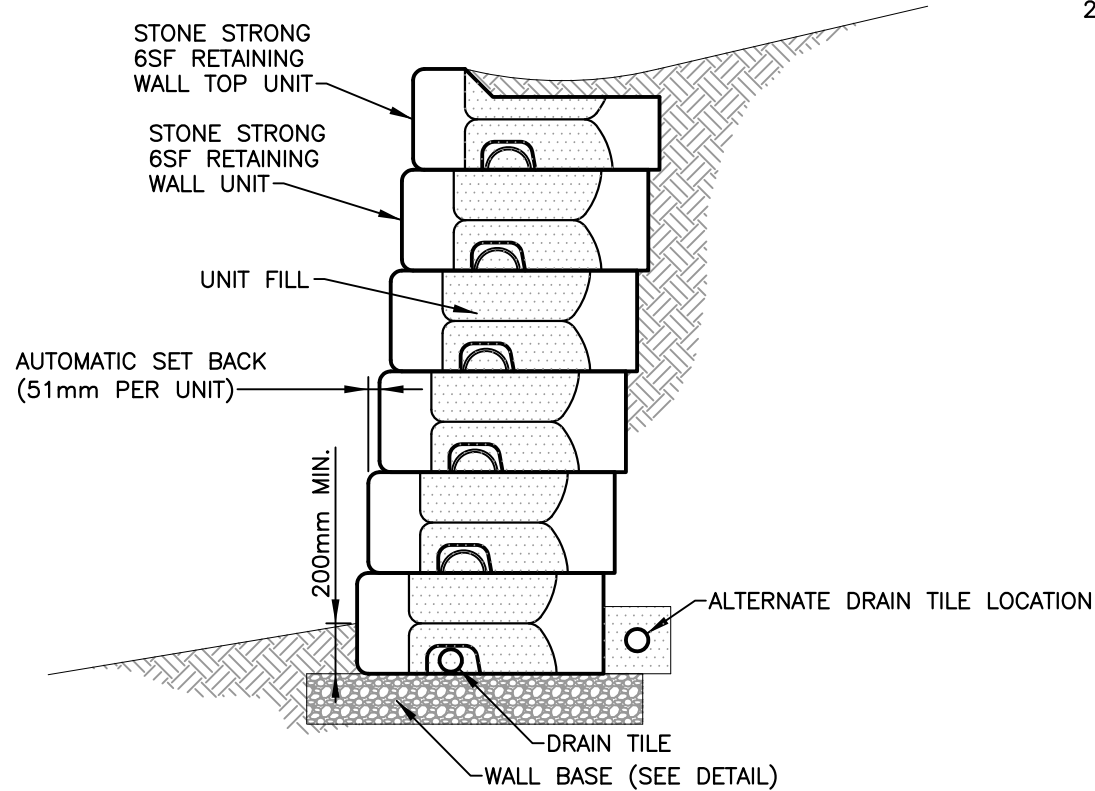
PROJECT

CROSS SECTIONS  
 STONE STRONG SYSTEMS

DATE: 2/10/16 | FILE: 05\_24sf.XSec.Parapet

**NOTES:**

1. DRAIN TILE MAY BE ELIMINATED AT THE DISCRETION OF THE SITE ENGINEER.
2. DAYLIGHT DRAIN TILE AT LOW POINTS THROUGH WALL FACE OR AT ENDS; MAXIMUM SPACING 30m OR PER SITE CONDITIONS.



## GRAVITY WALL CROSS SECTION

NOT TO SCALE

**DISCLAIMER:**

These typical details are preliminary and conceptual in nature. They are provided for general information purposes only. Anyone making use of these details and related information does so at their own risk and assumes all liability for such use. Site specific design should be performed by a licensed Professional Engineer based on actual site conditions, materials, and local practices.

Stone Strong LLC retains all common law, statutory, and other reserved rights to these drawings including the copyright. Limited license is granted to copy, reproduce, or modify the details to prepare construction drawings for Stone Strong retaining walls. Stone Strong LLC makes no warranties, either expressed or implied, of merchantability or fitness for any particular purpose, and accepts no responsibility for the accuracy, suitability, or completeness of information contained herein.



[www.stonestrong.com](http://www.stonestrong.com)

PROJECT

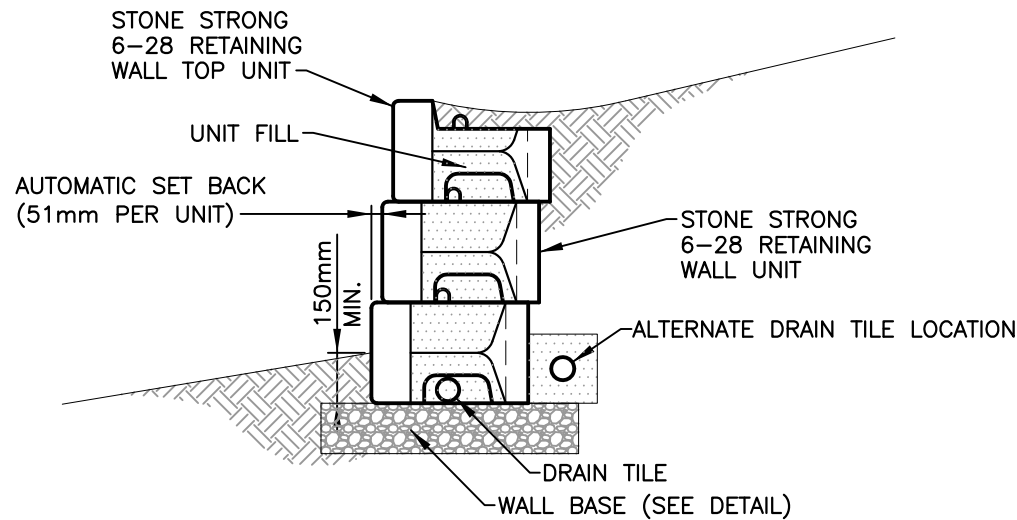
CROSS SECTIONS  
STONE STRONG SYSTEMS

DATE: 2/10/16

FILE: 06\_6sf.XSec.Grav

**NOTES:**

1. DRAIN TILE MAY BE ELIMINATED AT THE DISCRETION OF THE SITE ENGINEER.
2. DAYLIGHT DRAIN TILE AT LOW POINTS THROUGH WALL FACE OR AT ENDS; MAXIMUM SPACING 30m OR PER SITE CONDITIONS.



## 6-28 GRAVITY WALL CROSS SECTION

NOT TO SCALE

CHECK ON AVAILABILITY OF ALL UNITS w/ LOCAL PRODUCER/  
DEALER. SOME UNITS MAY HAVE LIMITED AVAILABILITY.

**DISCLAIMER:**

These typical details are preliminary and conceptual in nature. They are provided for general information purposes only. Anyone making use of these details and related information does so at their own risk and assumes all liability for such use. Site specific design should be performed by a licensed Professional Engineer based on actual site conditions, materials, and local practices.

Stone Strong LLC retains all common law, statutory, and other reserved rights to these drawings including the copyright. Limited license is granted to copy, reproduce, or modify the details to prepare construction drawings for Stone Strong retaining walls. Stone Strong LLC makes no warranties, either expressed or implied, of merchantability or fitness for any particular purpose, and accepts no responsibility for the accuracy, suitability, or completeness of information contained herein.

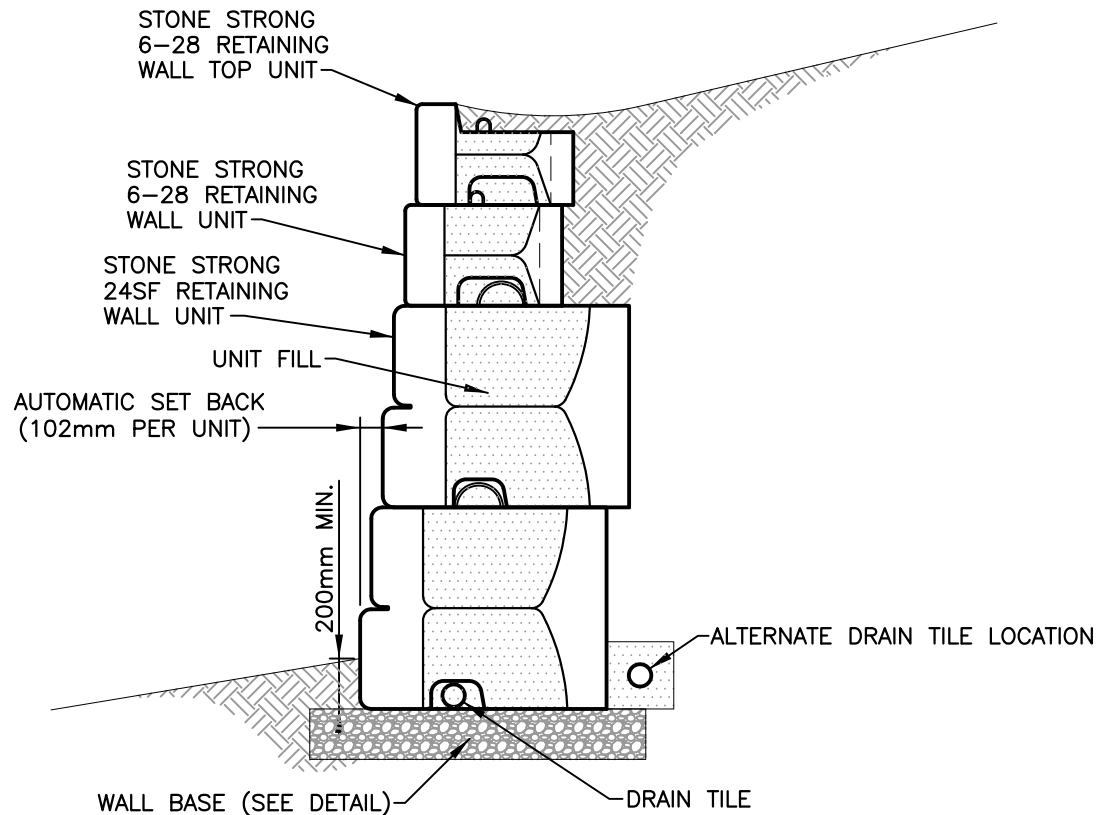


[www.stonestrong.com](http://www.stonestrong.com)

PROJECT

CROSS SECTIONS  
STONE STRONG SYSTEMS

DATE: 2/10/16 | FILE: 07\_6-28.XSec.Grav.Batt



## GRAVITY WALL CROSS SECTION

NOT TO SCALE

**NOTES:**

1. DRAIN TILE MAY BE ELIMINATED AT THE DISCRETION OF THE SITE ENGINEER.
2. DAYLIGHT DRAIN TILE AT LOW POINTS THROUGH WALL FACE OR AT ENDS; MAXIMUM SPACING 100 FEET OR PER SITE CONDITIONS.

CHECK ON AVAILABILITY OF ALL UNITS w/ LOCAL PRODUCER/ DEALER. SOME UNITS MAY HAVE LIMITED AVAILABILITY.

**DISCLAIMER:**

These typical details are preliminary and conceptual in nature. They are provided for general information purposes only. Anyone making use of these details and related information does so at their own risk and assumes all liability for such use. Site specific design should be performed by a licensed Professional Engineer based on actual site conditions, materials, and local practices.

Stone Strong LLC retains all common law, statutory, and other reserved rights to these drawings including the copyright. Limited license is granted to copy, reproduce, or modify the details to prepare construction drawings for Stone Strong retaining walls. Stone Strong LLC makes no warranties, either expressed or implied, of merchantability or fitness for any particular purpose, and accepts no responsibility for the accuracy, suitability, or completeness of information contained herein.



[www.stonestrong.com](http://www.stonestrong.com)

PROJECT

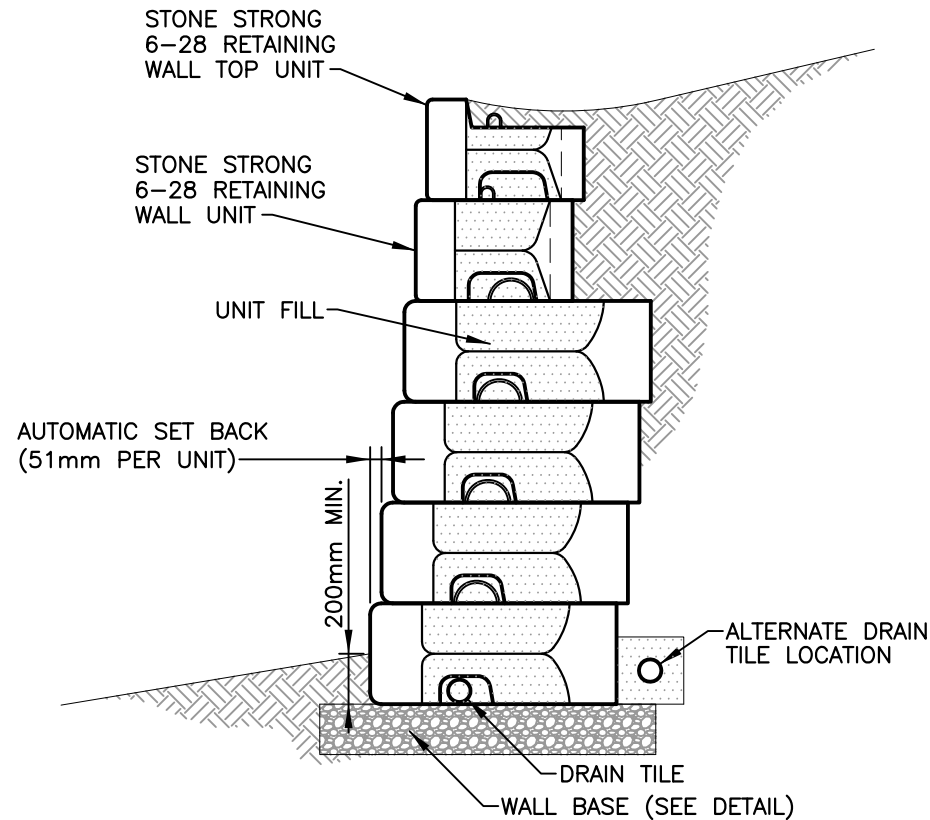
CROSS SECTIONS  
STONE STRONG SYSTEMS

DATE: 2/10/16 | FILE: 08\_24sf.XSec.Grav.28



**NOTES:**

1. DRAIN TILE MAY BE ELIMINATED AT THE DISCRETION OF THE SITE ENGINEER.
2. DAYLIGHT DRAIN TILE AT LOW POINTS THROUGH WALL FACE OR AT ENDS; MAXIMUM SPACING 30m OR PER SITE CONDITIONS.



## 6SF GRAVITY WALL CROSS SECTION

NOT TO SCALE

CHECK ON AVAILABILITY OF ALL UNITS w/ LOCAL PRODUCER/ DEALER. SOME UNITS MAY HAVE LIMITED AVAILABILITY.

**DISCLAIMER:**

These typical details are preliminary and conceptual in nature. They are provided for general information purposes only. Anyone making use of these details and related information does so at their own risk and assumes all liability for such use. Site specific design should be performed by a licensed Professional Engineer based on actual site conditions, materials, and local practices.

Stone Strong LLC retains all common law, statutory, and other reserved rights to these drawings including the copyright. Limited license is granted to copy, reproduce, or modify the details to prepare construction drawings for Stone Strong retaining walls. Stone Strong LLC makes no warranties, either expressed or implied, of merchantability or fitness for any particular purpose, and accepts no responsibility for the accuracy, suitability, or completeness of information contained herein.

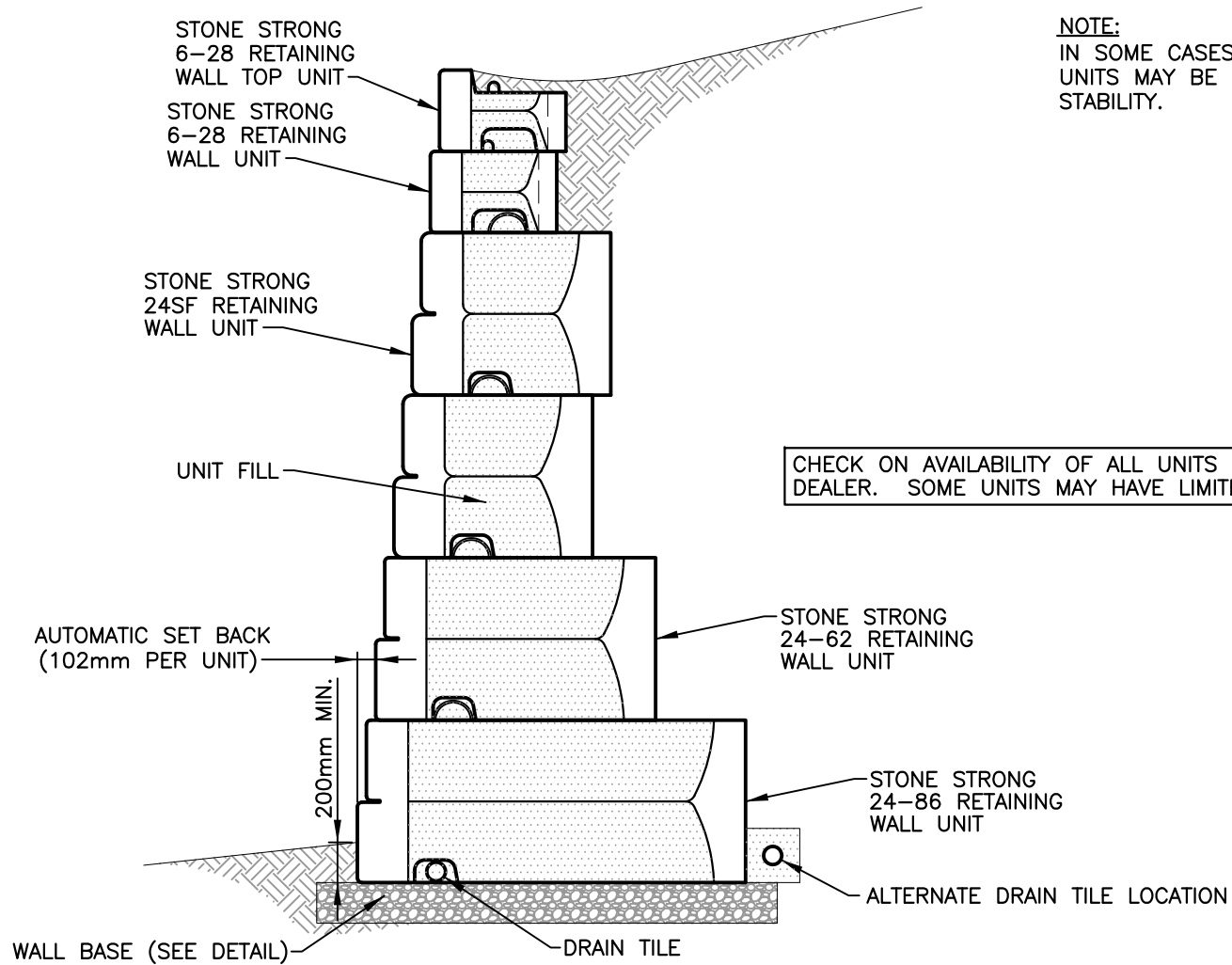


[www.stonestrong.com](http://www.stonestrong.com)

PROJECT

CROSS SECTIONS  
STONE STRONG SYSTEMS

DATE: 2/10/16 FILE: 09\_6sf.XSec.Grav.28



## GRAVITY WALL CROSS SECTION w/EXTENDED BASE UNITS

NOT TO SCALE

**DISCLAIMER:**

These typical details are preliminary and conceptual in nature. They are provided for general information purposes only. Anyone making use of these details and related information does so at their own risk and assumes all liability for such use. Site specific design should be performed by a licensed Professional Engineer based on actual site conditions, materials, and local practices.

Stone Strong LLC retains all common law, statutory, and other reserved rights to these drawings including the copyright. Limited license is granted to copy, reproduce, or modify the details to prepare construction drawings for Stone Strong retaining walls. Stone Strong LLC makes no warranties, either expressed or implied, of merchantability or fitness for any particular purpose, and accepts no responsibility for the accuracy, suitability, or completeness of information contained herein.

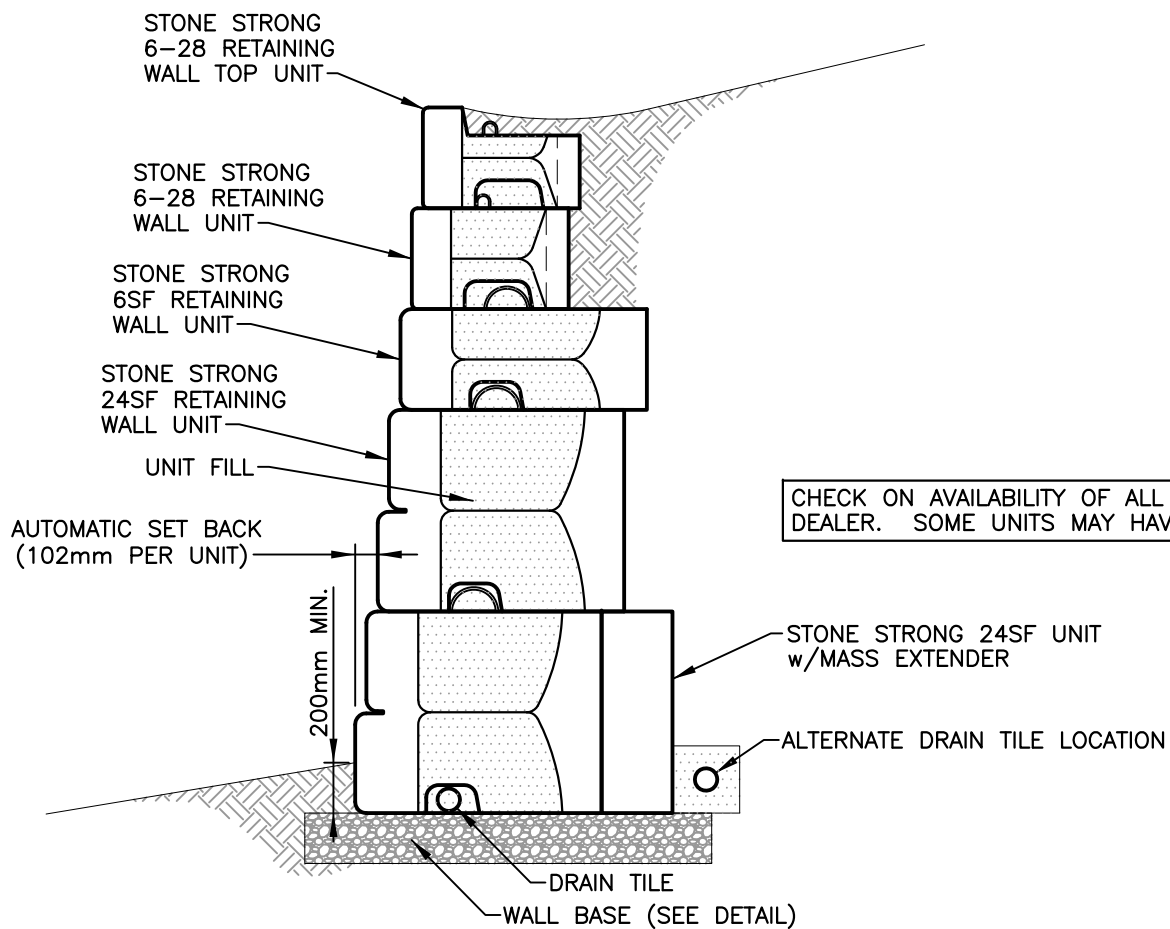


[www.stonestrong.com](http://www.stonestrong.com)

PROJECT

CROSS SECTIONS  
STONE STRONG SYSTEMS

DATE: 2/10/16 | FILE: 10\_HD Sect.28



**GRAVITY WALL**  
**CROSS SECTION w/MASS EXTENDER**  
 NOT TO SCALE

**DISCLAIMER:**

These typical details are preliminary and conceptual in nature. They are provided for general information purposes only. Anyone making use of these details and related information does so at their own risk and assumes all liability for such use. Site specific design should be performed by a licensed Professional Engineer based on actual site conditions, materials, and local practices.

Stone Strong LLC retains all common law, statutory, and other reserved rights to these drawings including the copyright. Limited license is granted to copy, reproduce, or modify the details to prepare construction drawings for Stone Strong retaining walls. Stone Strong LLC makes no warranties, either expressed or implied, of merchantability or fitness for any particular purpose, and accepts no responsibility for the accuracy, suitability, or completeness of information contained herein.



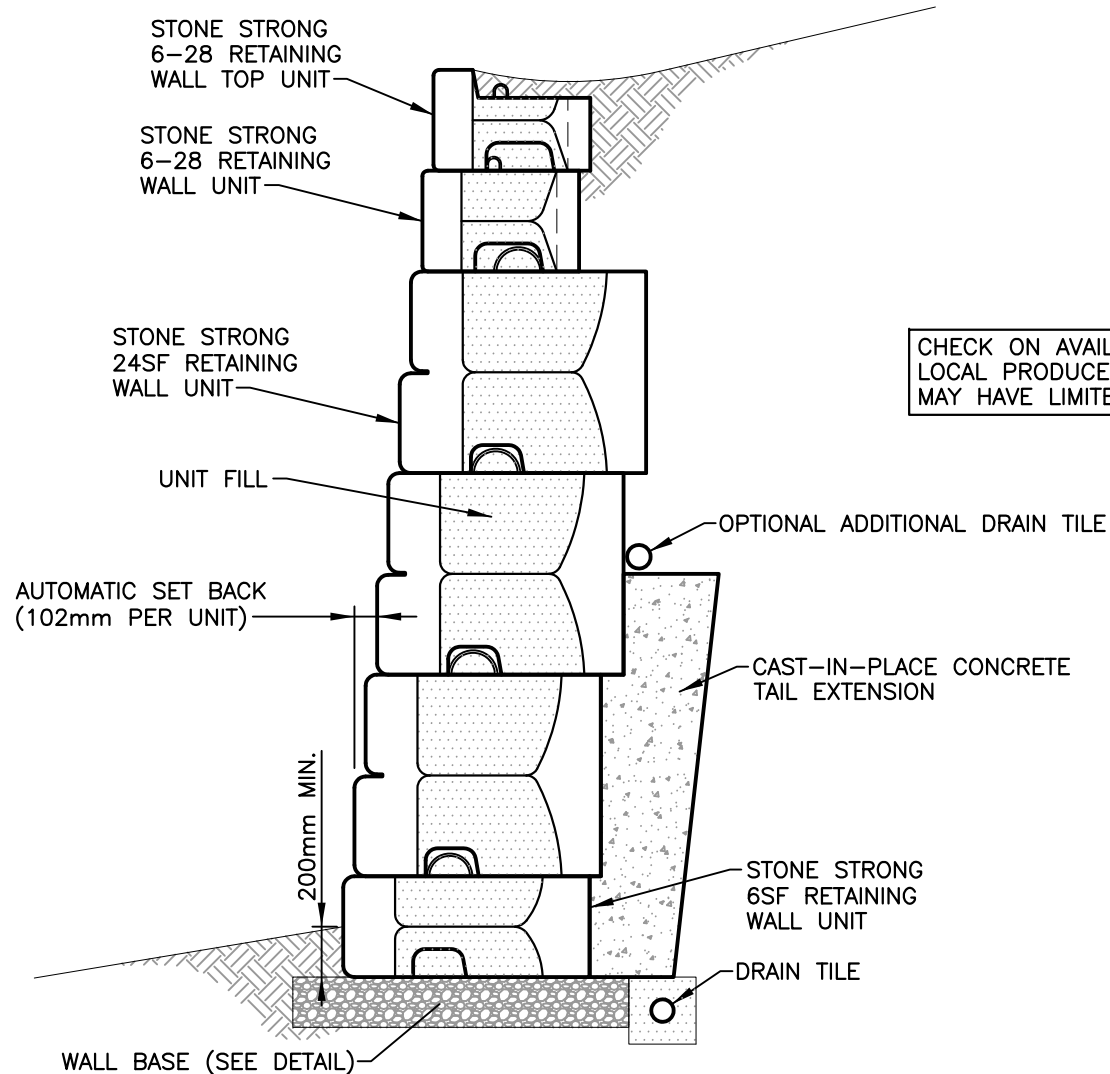
www.stonestrong.com

PROJECT

CROSS SECTIONS  
 STONE STRONG SYSTEMS

DATE: 2/10/16

FILE: 11\_24sf.XSec.Mass.28



CHECK ON AVAILABILITY OF ALL UNITS w/  
LOCAL PRODUCER/DEALER. SOME UNITS  
MAY HAVE LIMITED AVAILABILITY.

## GRAVITY WALL CROSS SECTION w/CONCRETE TAIL EXTENSION

NOT TO SCALE

**DISCLAIMER:**

These typical details are preliminary and conceptual in nature. They are provided for general information purposes only. Anyone making use of these details and related information does so at their own risk and assumes all liability for such use. Site specific design should be performed by a licensed Professional Engineer based on actual site conditions, materials, and local practices.

Stone Strong LLC retains all common law, statutory, and other reserved rights to these drawings including the copyright. Limited license is granted to copy, reproduce, or modify the details to prepare construction drawings for Stone Strong retaining walls. Stone Strong LLC makes no warranties, either expressed or implied, of merchantability or fitness for any particular purpose, and accepts no responsibility for the accuracy, suitability, or completeness of information contained herein.



[www.stonestrong.com](http://www.stonestrong.com)

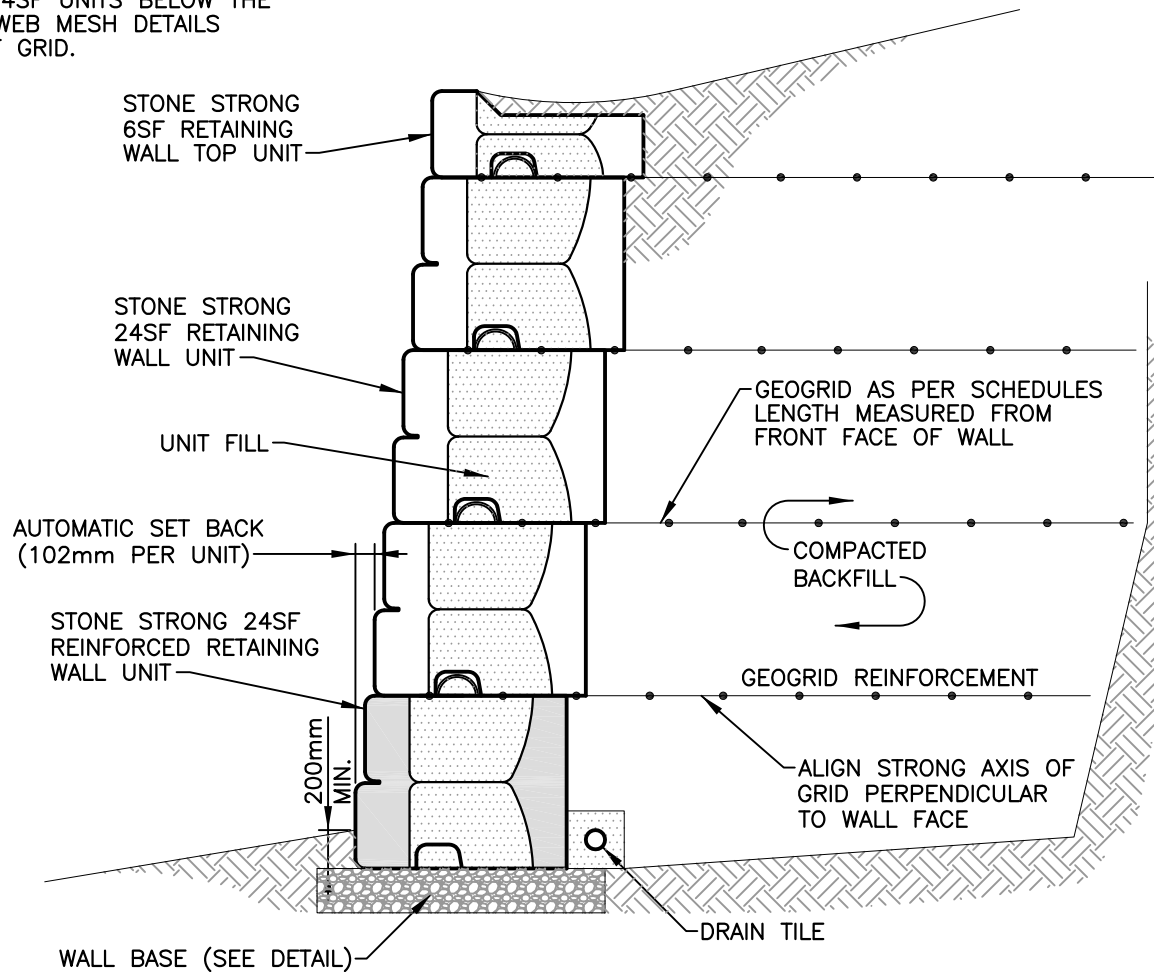
PROJECT

CROSS SECTIONS  
STONE STRONG SYSTEMS

DATE: 2/10/16 | FILE: 12\_24sf.XSec.CIP.28

**NOTE:**

24SF UNITS MUST BE REINFORCED BELOW THE TOP 3.7m IN GEOGRID REINFORCED WALLS. HD REINFORCING REQUIRED FOR 24SF UNITS BELOW THE TOP 10.1m. SEE FACE AND WEB MESH DETAILS FOR OPTIONAL REINFORCEMENT GRID.



## REINFORCED WALL CROSS SECTION

NOT TO SCALE

**DISCLAIMER:**

These typical details are preliminary and conceptual in nature. They are provided for general information purposes only. Anyone making use of these details and related information does so at their own risk and assumes all liability for such use. Site specific design should be performed by a licensed Professional Engineer based on actual site conditions, materials, and local practices.

Stone Strong LLC retains all common law, statutory, and other reserved rights to these drawings including the copyright. Limited license is granted to copy, reproduce, or modify the details to prepare construction drawings for Stone Strong retaining walls. Stone Strong LLC makes no warranties, either expressed or implied, of merchantability or fitness for any particular purpose, and accepts no responsibility for the accuracy, suitability, or completeness of information contained herein.



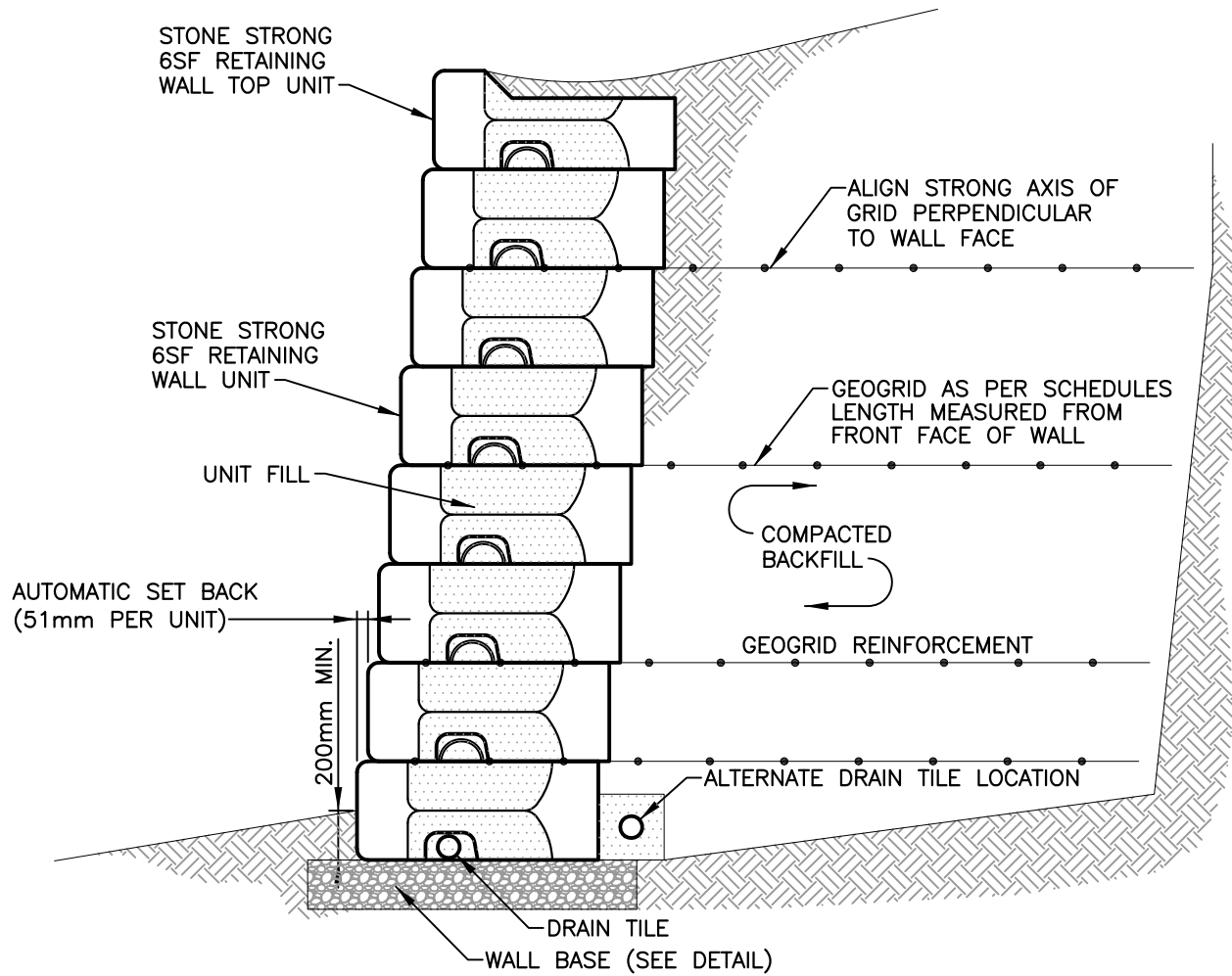
[www.stonestrong.com](http://www.stonestrong.com)

PROJECT

CROSS SECTIONS  
STONE STRONG SYSTEMS

DATE: 2/10/16

FILE: 13\_24sf.XSec.Reinf



## 6SF REINFORCED WALL CROSS SECTION

NOT TO SCALE

**DISCLAIMER:**  
 These typical details are preliminary and conceptual in nature. They are provided for general information purposes only. Anyone making use of these details and related information does so at their own risk and assumes all liability for such use. Site specific design should be performed by a licensed Professional Engineer based on actual site conditions, materials, and local practices.

Stone Strong LLC retains all common law, statutory, and other reserved rights to these drawings including the copyright. Limited license is granted to copy, reproduce, or modify the details to prepare construction drawings for Stone Strong retaining walls. Stone Strong LLC makes no warranties, either expressed or implied, of merchantability or fitness for any particular purpose, and accepts no responsibility for the accuracy, suitability, or completeness of information contained herein.

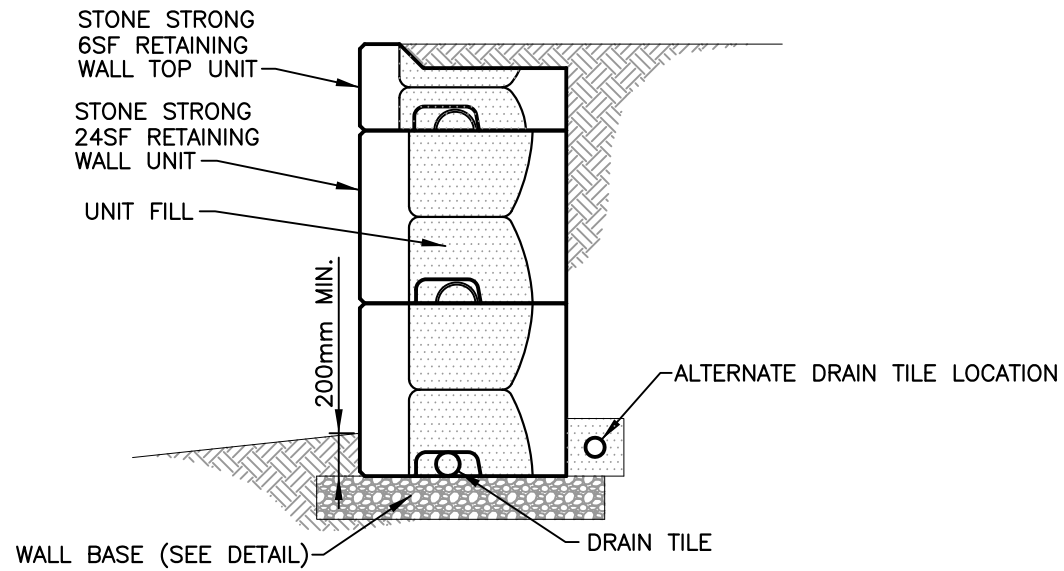


**STONE STRONG SYSTEMS®**

[www.stonestrong.com](http://www.stonestrong.com)

PROJECT	
CROSS SECTIONS STONE STRONG SYSTEMS	
DATE: 2/10/16	FILE: 14_6sf.XSec.Reinf

**NOTE:**  
 VERTICAL UNITS REQUIRE A MODIFIED  
 ALIGNMENT RECESS AND A MODIFIED FACE.



## TYPICAL GRAVITY WALL CROSS SECTION

NOT TO SCALE

**DISCLAIMER:**

These typical details are preliminary and conceptual in nature. They are provided for general information purposes only. Anyone making use of these details and related information does so at their own risk and assumes all liability for such use. Site specific design should be performed by a licensed Professional Engineer based on actual site conditions, materials, and local practices.

Stone Strong LLC retains all common law, statutory, and other reserved rights to these drawings including the copyright. Limited license is granted to copy, reproduce, or modify the details to prepare construction drawings for Stone Strong retaining walls. Stone Strong LLC makes no warranties, either expressed or implied, of merchantability or fitness for any particular purpose, and accepts no responsibility for the accuracy, suitability, or completeness of information contained herein.

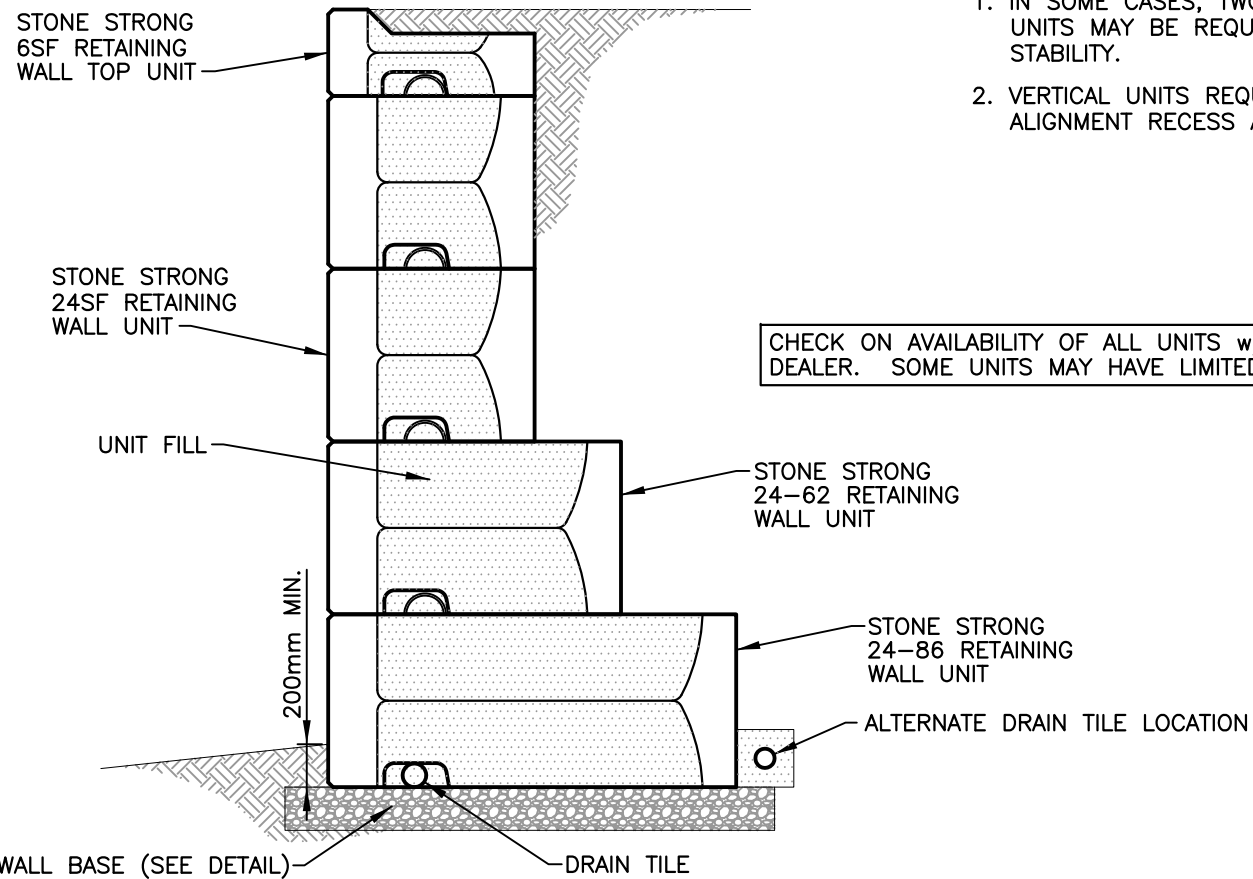


[www.stonestrong.com](http://www.stonestrong.com)

PROJECT

CROSS SECTIONS  
 STONE STRONG SYSTEMS

DATE: 2/10/16 | FILE: 15\_VertFaceSect2



- NOTES:**
1. IN SOME CASES, TWO 24-62 OR 24-86 UNITS MAY BE REQUIRED FOR INTERNAL STABILITY.
  2. VERTICAL UNITS REQUIRE A MODIFIED ALIGNMENT RECESS AND A MODIFIED FACE.

CHECK ON AVAILABILITY OF ALL UNITS w/ LOCAL PRODUCER/ DEALER. SOME UNITS MAY HAVE LIMITED AVAILABILITY.

## TYPICAL GRAVITY WALL CROSS SECTION w/HD BASE UNITS

NOT TO SCALE

**DISCLAIMER:**

These typical details are preliminary and conceptual in nature. They are provided for general information purposes only. Anyone making use of these details and related information does so at their own risk and assumes all liability for such use. Site specific design should be performed by a licensed Professional Engineer based on actual site conditions, materials, and local practices.

Stone Strong LLC retains all common law, statutory, and other reserved rights to these drawings including the copyright. Limited license is granted to copy, reproduce, or modify the details to prepare construction drawings for Stone Strong retaining walls. Stone Strong LLC makes no warranties, either expressed or implied, of merchantability or fitness for any particular purpose, and accepts no responsibility for the accuracy, suitability, or completeness of information contained herein.



www.stonestrong.com

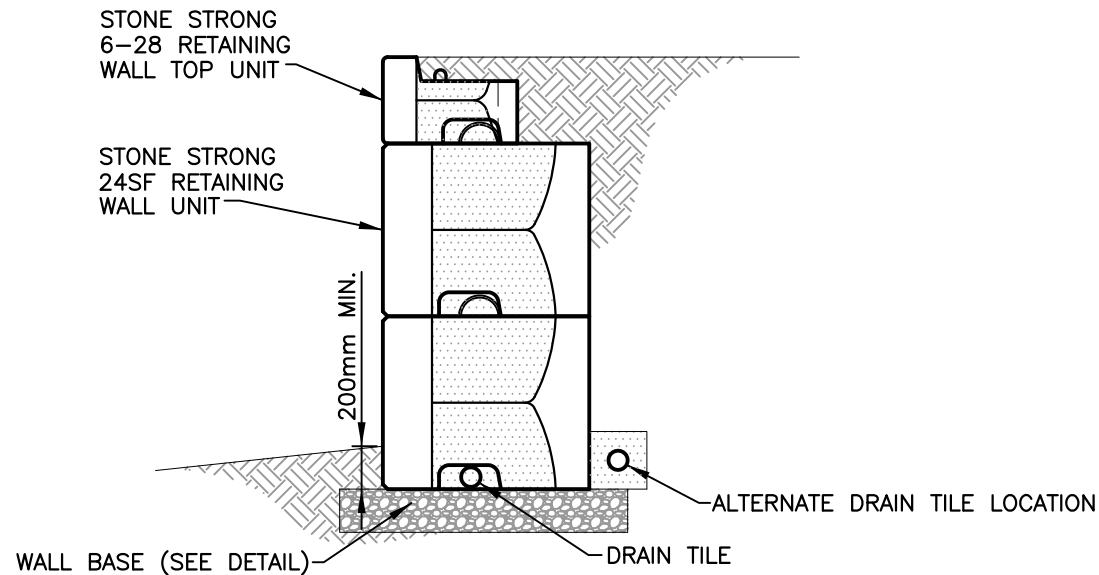
PROJECT

CROSS SECTIONS  
STONE STRONG SYSTEMS

DATE: 2/10/16 | FILE: 16\_VertFaceSect1



**NOTE:**  
 VERTICAL UNITS REQUIRE A MODIFIED  
 ALIGNMENT RECESS AND A MODIFIED FACE.



## VERTICAL FACE GRAVITY WALL CROSS SECTION

NOT TO SCALE

CHECK ON AVAILABILITY OF ALL UNITS w/ LOCAL PRODUCER/  
 DEALER. SOME UNITS MAY HAVE LIMITED AVAILABILITY.

**DISCLAIMER:**

These typical details are preliminary and conceptual in nature. They are provided for general information purposes only. Anyone making use of these details and related information does so at their own risk and assumes all liability for such use. Site specific design should be performed by a licensed Professional Engineer based on actual site conditions, materials, and local practices.

Stone Strong LLC retains all common law, statutory, and other reserved rights to these drawings including the copyright. Limited license is granted to copy, reproduce, or modify the details to prepare construction drawings for Stone Strong retaining walls. Stone Strong LLC makes no warranties, either expressed or implied, of merchantability or fitness for any particular purpose, and accepts no responsibility for the accuracy, suitability, or completeness of information contained herein.

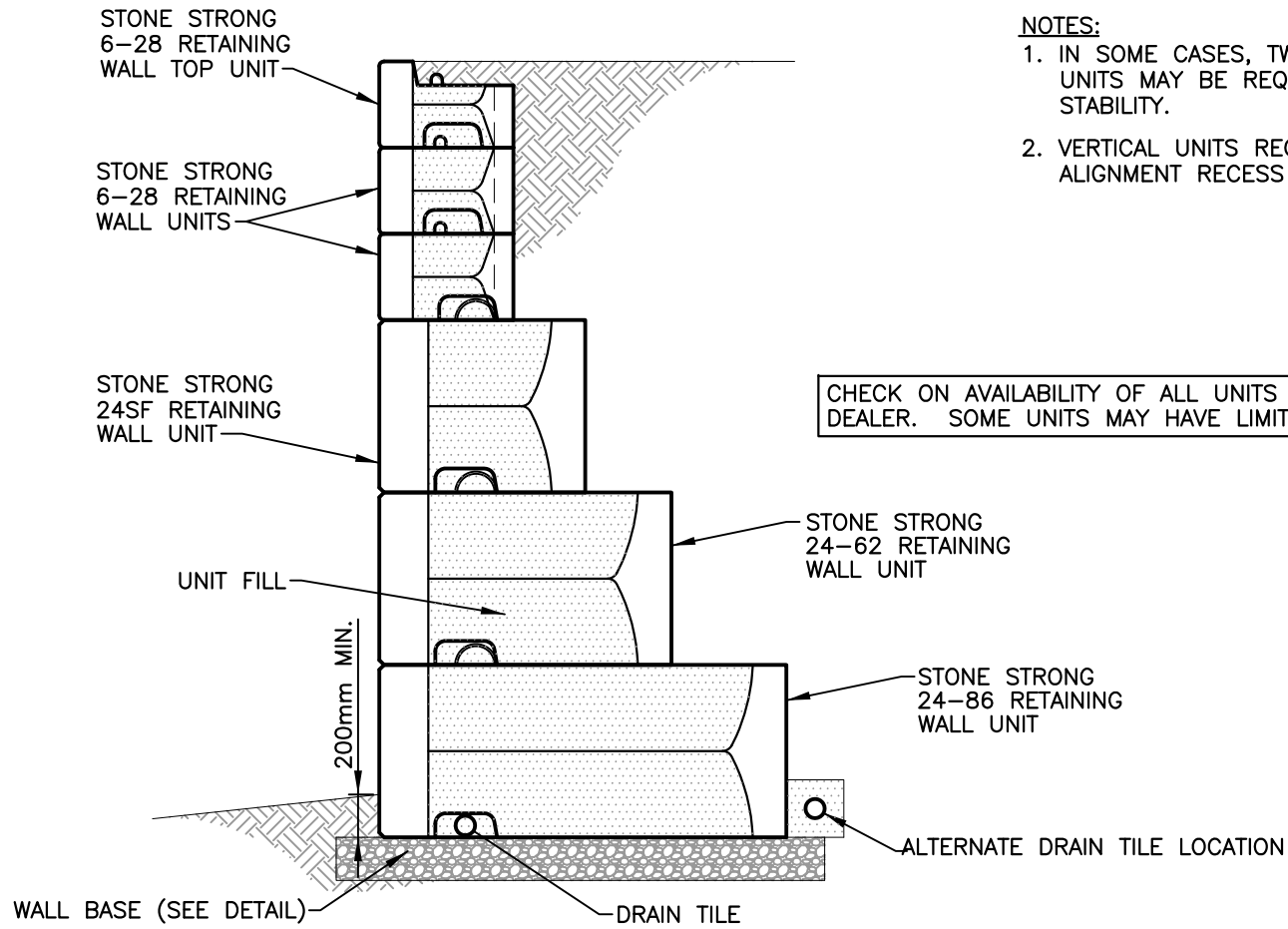


www.stonestrong.com

PROJECT

CROSS SECTIONS  
 STONE STRONG SYSTEMS

DATE: 2/10/16 | FILE: 17\_VertFaceSect2.28



**NOTES:**

1. IN SOME CASES, TWO 24-62 OR 24-86 UNITS MAY BE REQUIRED FOR INTERNAL STABILITY.
2. VERTICAL UNITS REQUIRE A MODIFIED ALIGNMENT RECESS AND A MODIFIED FACE.

CHECK ON AVAILABILITY OF ALL UNITS w/ LOCAL PRODUCER/ DEALER. SOME UNITS MAY HAVE LIMITED AVAILABILITY.

## VERTICAL FACE GRAVITY WALL CROSS SECTION w/EXTENDED BASE UNITS

NOT TO SCALE

**DISCLAIMER:**

These typical details are preliminary and conceptual in nature. They are provided for general information purposes only. Anyone making use of these details and related information does so at their own risk and assumes all liability for such use. Site specific design should be performed by a licensed Professional Engineer based on actual site conditions, materials, and local practices.

Stone Strong LLC retains all common law, statutory, and other reserved rights to these drawings including the copyright. Limited license is granted to copy, reproduce, or modify the details to prepare construction drawings for Stone Strong retaining walls. Stone Strong LLC makes no warranties, either expressed or implied, of merchantability or fitness for any particular purpose, and accepts no responsibility for the accuracy, suitability, or completeness of information contained herein.



[www.stonestrong.com](http://www.stonestrong.com)

PROJECT

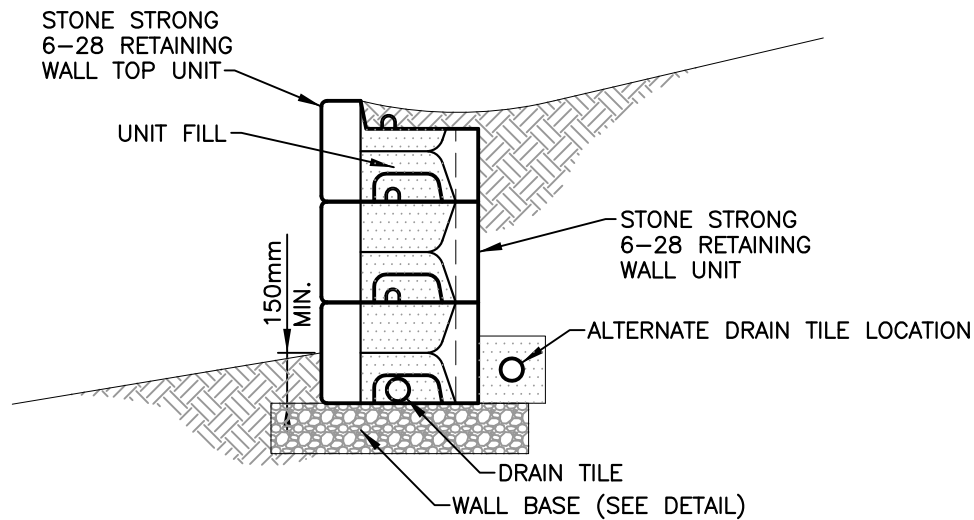
CROSS SECTIONS  
STONE STRONG SYSTEMS

DATE: 2/10/16

FILE: 18\_VertFaceSect1.28

**NOTES:**

1. DRAIN TILE MAY BE ELIMINATED AT THE DISCRETION OF THE SITE ENGINEER.
2. DAYLIGHT DRAIN TILE AT LOW POINTS THROUGH WALL FACE OR AT ENDS; MAXIMUM SPACING 30m OR PER SITE CONDITIONS.



**VERTICAL FACE  
6-28 GRAVITY WALL CROSS SECTION**

NOT TO SCALE

CHECK ON AVAILABILITY OF ALL UNITS w/ LOCAL PRODUCER/ DEALER. SOME UNITS MAY HAVE LIMITED AVAILABILITY.

**DISCLAIMER:**

These typical details are preliminary and conceptual in nature. They are provided for general information purposes only. Anyone making use of these details and related information does so at their own risk and assumes all liability for such use. Site specific design should be performed by a licensed Professional Engineer based on actual site conditions, materials, and local practices.

Stone Strong LLC retains all common law, statutory, and other reserved rights to these drawings including the copyright. Limited license is granted to copy, reproduce, or modify the details to prepare construction drawings for Stone Strong retaining walls. Stone Strong LLC makes no warranties, either expressed or implied, of merchantability or fitness for any particular purpose, and accepts no responsibility for the accuracy, suitability, or completeness of information contained herein.



[www.stonestrong.com](http://www.stonestrong.com)

PROJECT

CROSS SECTIONS  
STONE STRONG SYSTEMS

DATE: 2/10/16 FILE: 19\_6-28.XSec.Grav.Vert