

NOTE: BEARING CONDITIONS SHALL BE OBSERVED BY THE SITE GEOTECHNICAL ENGINEER. BASE DIMENSIONS MAY BE INCREASED TO ADDRESS DEFICIENT SOIL BEARING CONDITIONS.

*FOR WALL HEIGHTS OF 6' OR LESS, BASE THICKNESS MAY BE REDUCED TO 6".

24SF WALL BASE

NOT TO SCALE

DISCLAIMER:

These typical details are preliminary and conceptual in nature. They are provided for general information purposes only. Anyone making use of these details and related information does so at their own risk and assumes all liability for such use. Site specific design should be performed by a licensed Professional Engineer based on actual site conditions, materials, and local practices.

Stone Strong LLC retains all common law, statutory, and other reserved rights to these drawings including the copyright. Limited license is granted to copy, reproduce, or modify the details to prepare construction drawings for Stone Strong retaining walls. Stone Strong LLC makes no warranties, either expressed or implied, of merchantability or fitness for any particular purpose, and accepts no responsibility for the accuracy, suitability, or completeness of information contained herein.

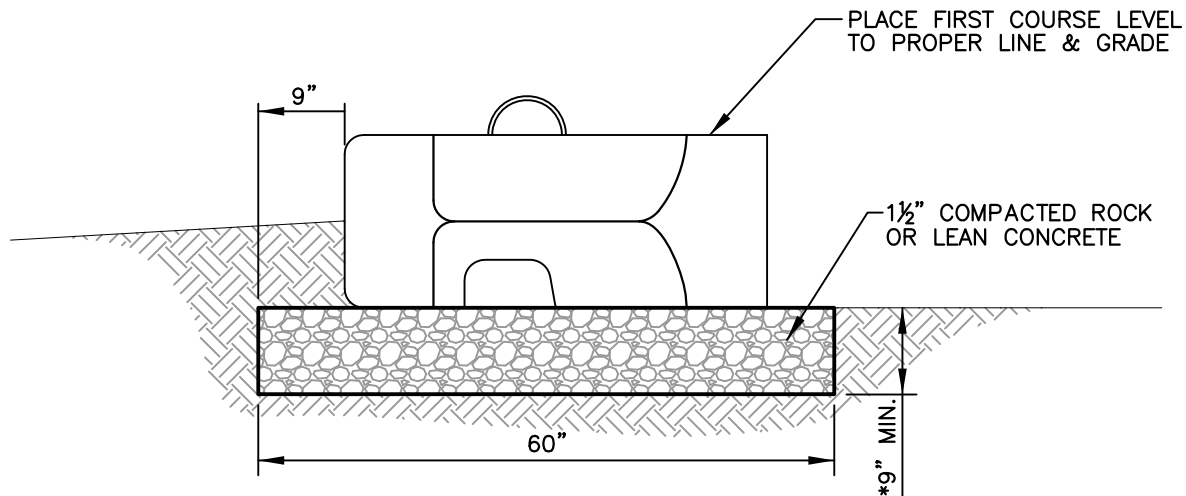


www.stonestrong.com

PROJECT

TYPICAL DETAILS
STONE STRONG SYSTEMS

DATE: 2/10/16 | FILE: 01_24sf.Base



NOTE: BEARING CONDITIONS SHALL BE OBSERVED BY THE SITE GEOTECHNICAL ENGINEER. BASE DIMENSIONS MAY BE INCREASED TO ADDRESS DEFICIENT SOIL BEARING CONDITIONS.

*FOR WALL HEIGHTS OF 6' OR LESS, BASE THICKNESS MAY BE REDUCED TO 6".

6SF WALL BASE

NOT TO SCALE

DISCLAIMER:

These typical details are preliminary and conceptual in nature. They are provided for general information purposes only. Anyone making use of these details and related information does so at their own risk and assumes all liability for such use. Site specific design should be performed by a licensed Professional Engineer based on actual site conditions, materials, and local practices.

Stone Strong LLC retains all common law, statutory, and other reserved rights to these drawings including the copyright. Limited license is granted to copy, reproduce, or modify the details to prepare construction drawings for Stone Strong retaining walls. Stone Strong LLC makes no warranties, either expressed or implied, of merchantability or fitness for any particular purpose, and accepts no responsibility for the accuracy, suitability, or completeness of information contained herein.

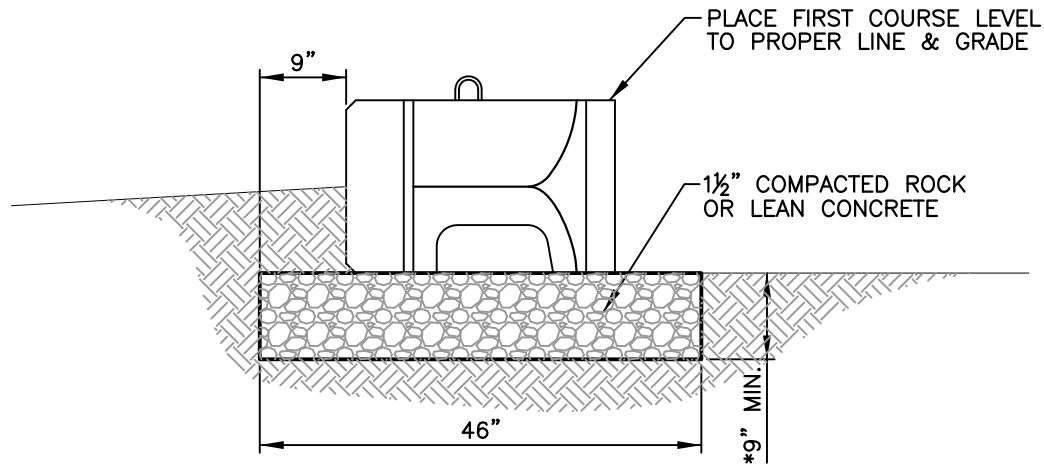


www.stonestrong.com

PROJECT

TYPICAL DETAILS
STONE STRONG SYSTEMS

DATE: 2/10/16 | FILE: 02_6sf.Base



NOTE: BEARING CONDITIONS SHALL BE OBSERVED BY THE SITE GEOTECHNICAL ENGINEER. BASE DIMENSIONS MAY BE INCREASED TO ADDRESS DEFICIENT SOIL BEARING CONDITIONS.

*FOR WALL HEIGHTS OF 6' OR LESS, BASE THICKNESS MAY BE REDUCED TO 6".

6-28 WALL BASE

NOT TO SCALE

CHECK ON AVAILABILITY OF ALL UNITS w/ LOCAL PRODUCER/ DEALER. SOME UNITS MAY HAVE LIMITED AVAILABILITY.

DISCLAIMER:

These typical details are preliminary and conceptual in nature. They are provided for general information purposes only. Anyone making use of these details and related information does so at their own risk and assumes all liability for such use. Site specific design should be performed by a licensed Professional Engineer based on actual site conditions, materials, and local practices.

Stone Strong LLC retains all common law, statutory, and other reserved rights to these drawings including the copyright. Limited license is granted to copy, reproduce, or modify the details to prepare construction drawings for Stone Strong retaining walls. Stone Strong LLC makes no warranties, either expressed or implied, of merchantability or fitness for any particular purpose, and accepts no responsibility for the accuracy, suitability, or completeness of information contained herein.

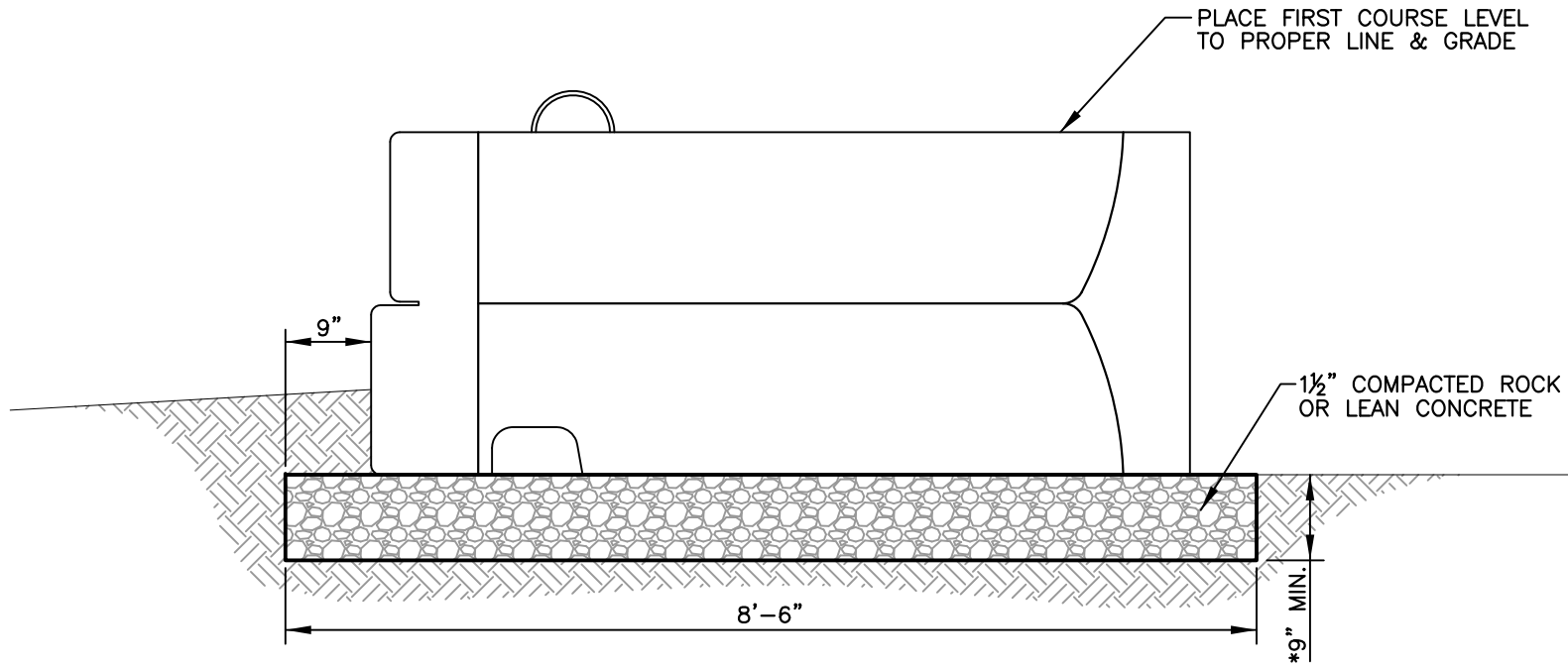


www.stonestrong.com

PROJECT

TYPICAL DETAILS
STONE STRONG SYSTEMS

DATE: 2/10/16 | FILE: 03_6-28.Base



NOTE: BEARING CONDITIONS SHALL BE OBSERVED BY THE SITE GEOTECHNICAL ENGINEER. BASE DIMENSIONS MAY BE INCREASED TO ADDRESS DEFICIENT SOIL BEARING CONDITIONS.

*FOR WALL HEIGHTS OF 6' OR LESS, BASE THICKNESS MAY BE REDUCED TO 6".

24-86 WALL BASE

NOT TO SCALE

CHECK ON AVAILABILITY OF ALL UNITS w/ LOCAL PRODUCER/ DEALER. SOME UNITS MAY HAVE LIMITED AVAILABILITY.

DISCLAIMER:

These typical details are preliminary and conceptual in nature. They are provided for general information purposes only. Anyone making use of these details and related information does so at their own risk and assumes all liability for such use. Site specific design should be performed by a licensed Professional Engineer based on actual site conditions, materials, and local practices.

Stone Strong LLC retains all common law, statutory, and other reserved rights to these drawings including the copyright. Limited license is granted to copy, reproduce, or modify the details to prepare construction drawings for Stone Strong retaining walls. Stone Strong LLC makes no warranties, either expressed or implied, of merchantability or fitness for any particular purpose, and accepts no responsibility for the accuracy, suitability, or completeness of information contained herein.



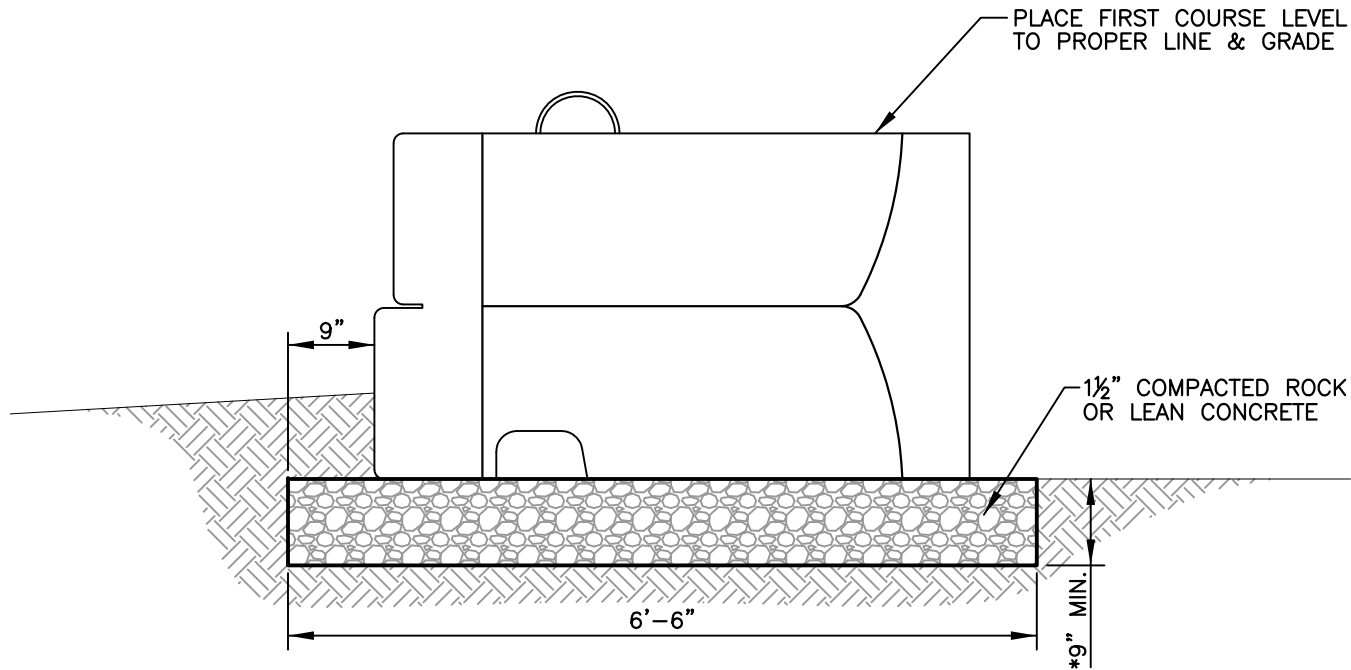
www.stonestrong.com

PROJECT

TYPICAL DETAILS
STONE STRONG SYSTEMS

DATE: 2/10/16

FILE: 04_24-86.Base



NOTE: BEARING CONDITIONS SHALL BE OBSERVED BY THE SITE GEOTECHNICAL ENGINEER. BASE DIMENSIONS MAY BE INCREASED TO ADDRESS DEFICIENT SOIL BEARING CONDITIONS.

*FOR WALL HEIGHTS OF 6' OR LESS, BASE THICKNESS MAY BE REDUCED TO 6".

24-62 WALL BASE

NOT TO SCALE

CHECK ON AVAILABILITY OF ALL UNITS w/ LOCAL PRODUCER/ DEALER. SOME UNITS MAY HAVE LIMITED AVAILABILITY.

DISCLAIMER:

These typical details are preliminary and conceptual in nature. They are provided for general information purposes only. Anyone making use of these details and related information does so at their own risk and assumes all liability for such use. Site specific design should be performed by a licensed Professional Engineer based on actual site conditions, materials, and local practices.

Stone Strong LLC retains all common law, statutory, and other reserved rights to these drawings including the copyright. Limited license is granted to copy, reproduce, or modify the details to prepare construction drawings for Stone Strong retaining walls. Stone Strong LLC makes no warranties, either expressed or implied, of merchantability or fitness for any particular purpose, and accepts no responsibility for the accuracy, suitability, or completeness of information contained herein.



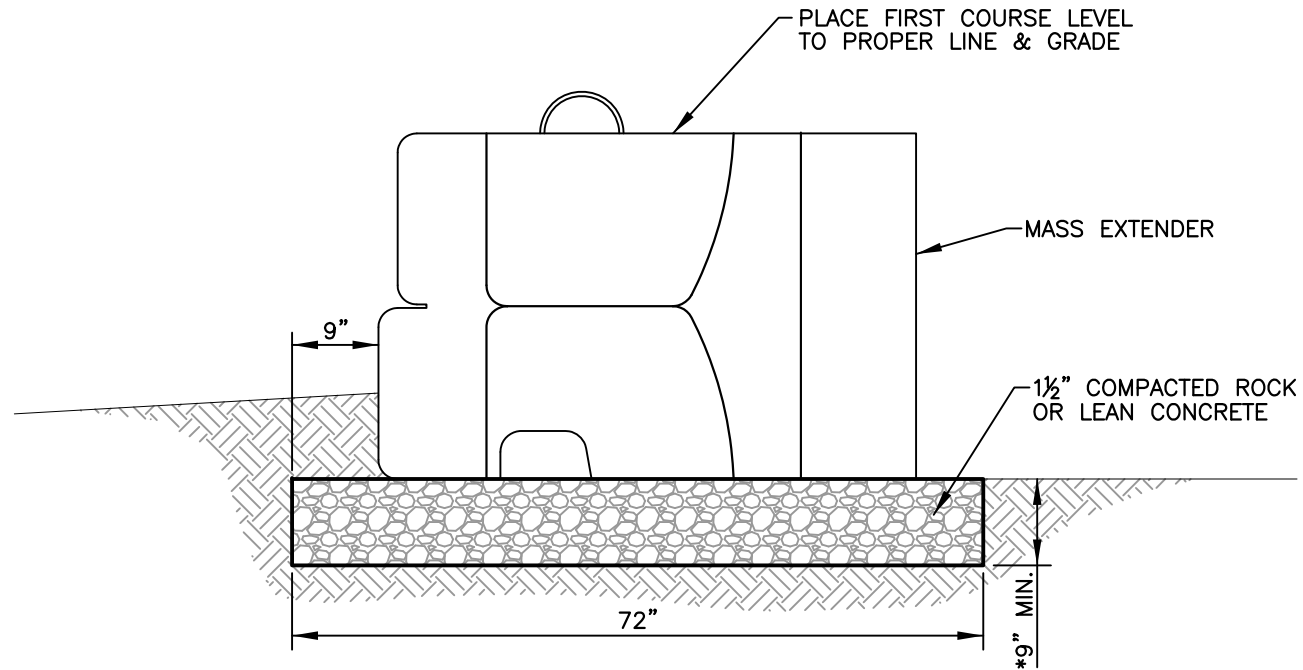
www.stonestrong.com

PROJECT

TYPICAL DETAILS
STONE STRONG SYSTEMS

DATE: 2/10/16

FILE: 05_24-62.Base



NOTE: BEARING CONDITIONS SHALL BE OBSERVED BY THE SITE GEOTECHNICAL ENGINEER. BASE DIMENSIONS MAY BE INCREASED TO ADDRESS DEFICIENT SOIL BEARING CONDITIONS.

*FOR WALL HEIGHTS OF 6' OR LESS, BASE THICKNESS MAY BE REDUCED TO 6".

24SF w/MASS EXTENDER WALL BASE

NOT TO SCALE

CHECK ON AVAILABILITY OF ALL UNITS w/ LOCAL PRODUCER/ DEALER. SOME UNITS MAY HAVE LIMITED AVAILABILITY.

DISCLAIMER:

These typical details are preliminary and conceptual in nature. They are provided for general information purposes only. Anyone making use of these details and related information does so at their own risk and assumes all liability for such use. Site specific design should be performed by a licensed Professional Engineer based on actual site conditions, materials, and local practices.

Stone Strong LLC retains all common law, statutory, and other reserved rights to these drawings including the copyright. Limited license is granted to copy, reproduce, or modify the details to prepare construction drawings for Stone Strong retaining walls. Stone Strong LLC makes no warranties, either expressed or implied, of merchantability or fitness for any particular purpose, and accepts no responsibility for the accuracy, suitability, or completeness of information contained herein.



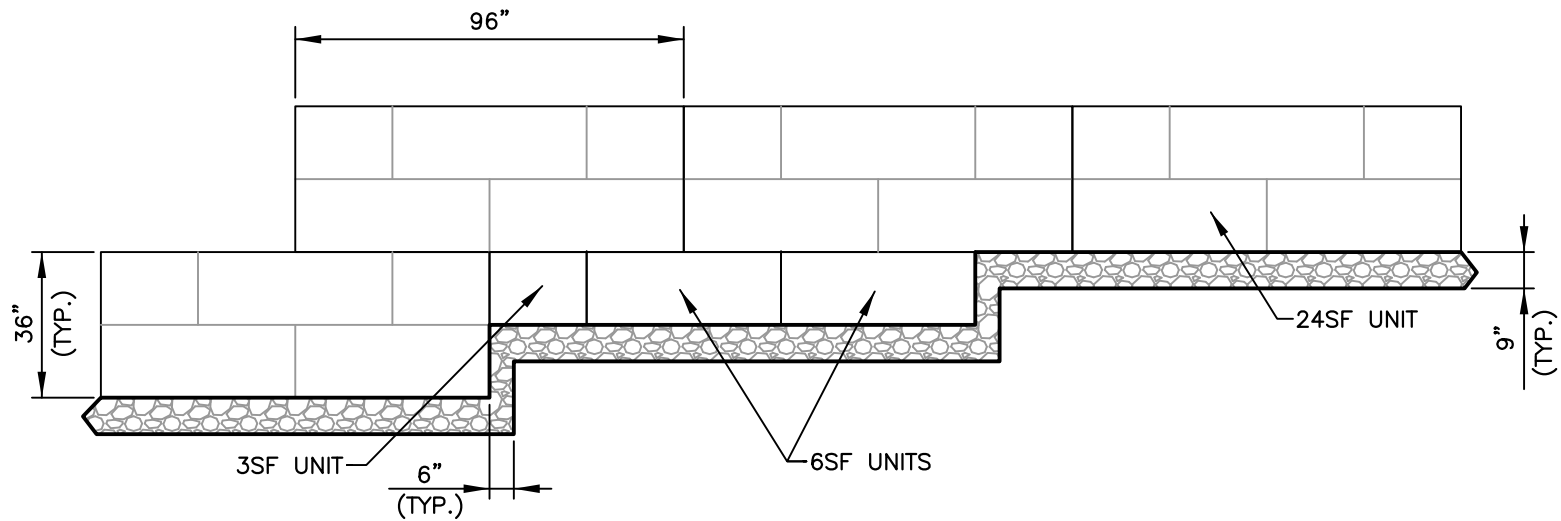
www.stonestrong.com

PROJECT

TYPICAL DETAILS
STONE STRONG SYSTEMS

DATE: 2/10/16

FILE: 06_24sf.Base.MassExtender



WALL BASE STEP

NOT TO SCALE

DISCLAIMER:

These typical details are preliminary and conceptual in nature. They are provided for general information purposes only. Anyone making use of these details and related information does so at their own risk and assumes all liability for such use. Site specific design should be performed by a licensed Professional Engineer based on actual site conditions, materials, and local practices.

Stone Strong LLC retains all common law, statutory, and other reserved rights to these drawings including the copyright. Limited license is granted to copy, reproduce, or modify the details to prepare construction drawings for Stone Strong retaining walls. Stone Strong LLC makes no warranties, either expressed or implied, of merchantability or fitness for any particular purpose, and accepts no responsibility for the accuracy, suitability, or completeness of information contained herein.

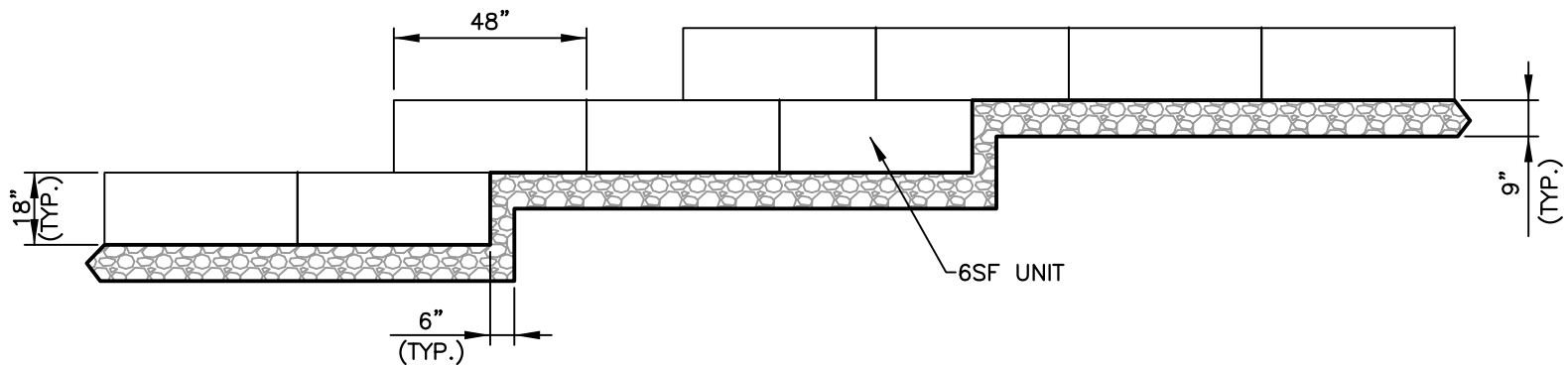


www.stonestrong.com

PROJECT

TYPICAL DETAILS
STONE STRONG SYSTEMS

DATE: 2/10/16 | FILE: 07_24sf.BaseStep



6SF WALL BASE STEP

NOT TO SCALE

DISCLAIMER:

These typical details are preliminary and conceptual in nature. They are provided for general information purposes only. Anyone making use of these details and related information does so at their own risk and assumes all liability for such use. Site specific design should be performed by a licensed Professional Engineer based on actual site conditions, materials, and local practices.

Stone Strong LLC retains all common law, statutory, and other reserved rights to these drawings including the copyright. Limited license is granted to copy, reproduce, or modify the details to prepare construction drawings for Stone Strong retaining walls. Stone Strong LLC makes no warranties, either expressed or implied, of merchantability or fitness for any particular purpose, and accepts no responsibility for the accuracy, suitability, or completeness of information contained herein.



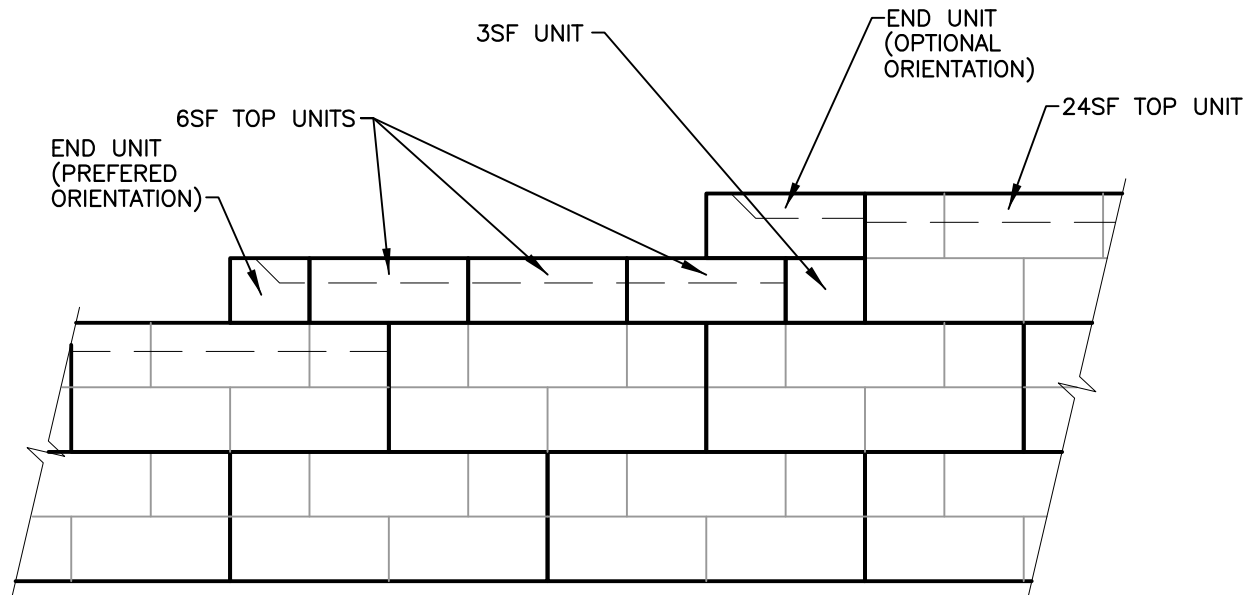
www.stonestrong.com

PROJECT

TYPICAL DETAILS
STONE STRONG SYSTEMS

DATE: 2/10/16

FILE: 08_6sf.BaseStep



TOP OF WALL STEPS

NOT TO SCALE

DISCLAIMER:

These typical details are preliminary and conceptual in nature. They are provided for general information purposes only. Anyone making use of these details and related information does so at their own risk and assumes all liability for such use. Site specific design should be performed by a licensed Professional Engineer based on actual site conditions, materials, and local practices.

Stone Strong LLC retains all common law, statutory, and other reserved rights to these drawings including the copyright. Limited license is granted to copy, reproduce, or modify the details to prepare construction drawings for Stone Strong retaining walls. Stone Strong LLC makes no warranties, either expressed or implied, of merchantability or fitness for any particular purpose, and accepts no responsibility for the accuracy, suitability, or completeness of information contained herein.



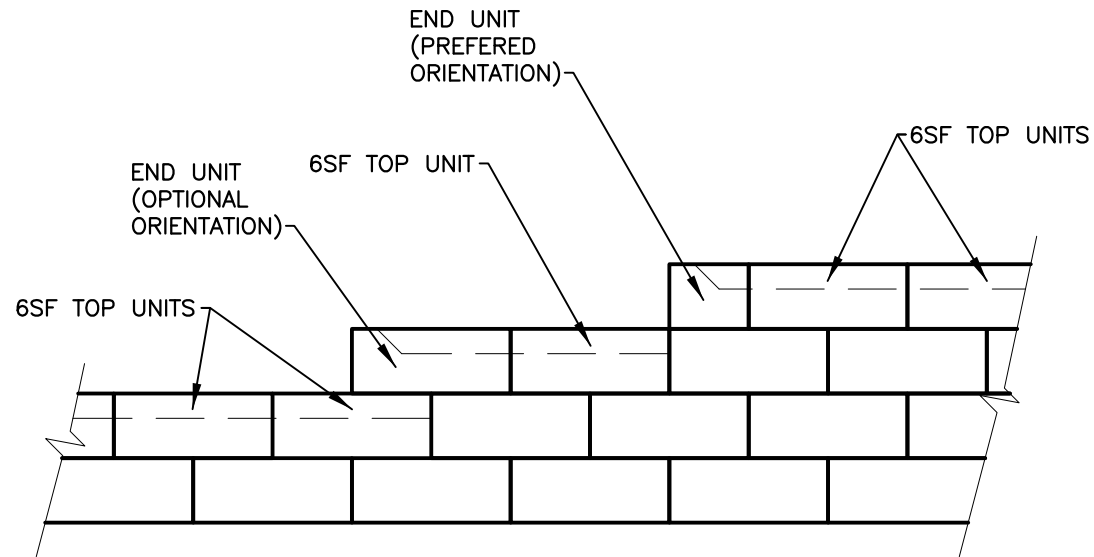
www.stonestrong.com

PROJECT

TYPICAL DETAILS
STONE STRONG SYSTEMS

DATE: 2/10/16

FILE: 09_24sf.TopStep



TOP OF WALL STEPS

NOT TO SCALE

DISCLAIMER:

These typical details are preliminary and conceptual in nature. They are provided for general information purposes only. Anyone making use of these details and related information does so at their own risk and assumes all liability for such use. Site specific design should be performed by a licensed Professional Engineer based on actual site conditions, materials, and local practices.

Stone Strong LLC retains all common law, statutory, and other reserved rights to these drawings including the copyright. Limited license is granted to copy, reproduce, or modify the details to prepare construction drawings for Stone Strong retaining walls. Stone Strong LLC makes no warranties, either expressed or implied, of merchantability or fitness for any particular purpose, and accepts no responsibility for the accuracy, suitability, or completeness of information contained herein.



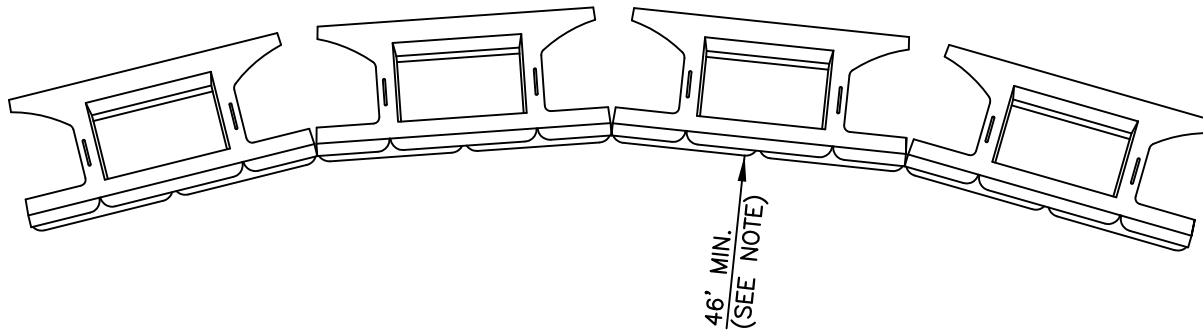
www.stonestrong.com

PROJECT

TYPICAL DETAILS
STONE STRONG SYSTEMS

DATE: 2/10/16

FILE: 10_6sf.TopStep



Minimum Concave Radius		
Wall Height (ft)	Total # of Courses	Reqd. Radius at Top Course
6	2	46' 4"
9	3	46' 8"
12	4	47' 0"
15	5	47' 4"
18	6	47' 8"
21	7	48' 0"
24	8	48' 4"

NOTE:
 MINIMUM RADIUS OCCURS AT LOWEST COURSE.
 RADIUS INCREASES 4" PER COURSE ABOVE,
 AS SHOWN ON TABLE.

MINIMUM CONCAVE RADIUS-24SF UNITS

NOT TO SCALE

DISCLAIMER:

These typical details are preliminary and conceptual in nature. They are provided for general information purposes only. Anyone making use of these details and related information does so at their own risk and assumes all liability for such use. Site specific design should be performed by a licensed Professional Engineer based on actual site conditions, materials, and local practices.

Stone Strong LLC retains all common law, statutory, and other reserved rights to these drawings including the copyright. Limited license is granted to copy, reproduce, or modify the details to prepare construction drawings for Stone Strong retaining walls. Stone Strong LLC makes no warranties, either expressed or implied, of merchantability or fitness for any particular purpose, and accepts no responsibility for the accuracy, suitability, or completeness of information contained herein.

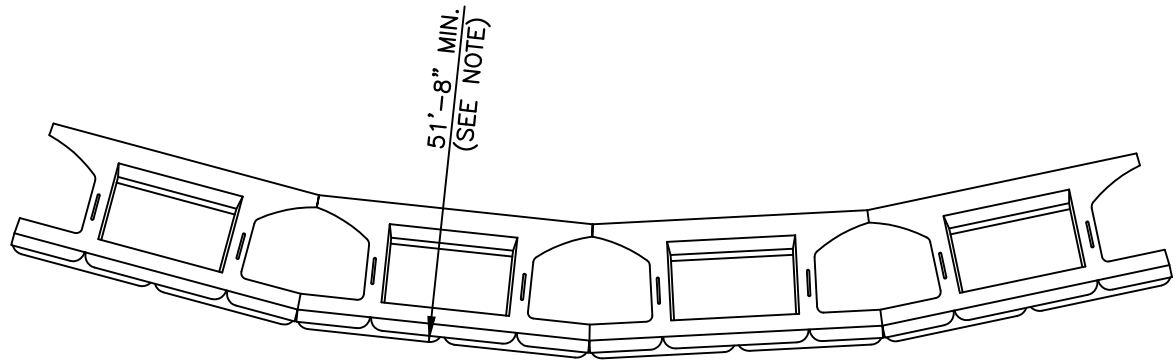


www.stonestrong.com

PROJECT

TYPICAL DETAILS
 STONE STRONG SYSTEMS

DATE: 2/10/16 FILE: 11_24sf.RadMin.Concave



NOTE:
 MINIMUM RADIUS OCCURS AT TOP COURSE.
 REQUIRED RADIUS INCREASES 4" PER COURSE
 BELOW, AS SHOWN ON TABLE.

Minimum Convex Radius		
Wall Height (ft)	Total # of Courses	Reqd. Radius at First Course
6	2	52' 0"
9	3	52' 4"
12	4	52' 8"
15	5	53' 0"
18	6	53' 4"
21	7	53' 8"
24	8	54' 0"

MINIMUM CONVEX RADIUS-24SF UNITS

NOT TO SCALE

DISCLAIMER:

These typical details are preliminary and conceptual in nature. They are provided for general information purposes only. Anyone making use of these details and related information does so at their own risk and assumes all liability for such use. Site specific design should be performed by a licensed Professional Engineer based on actual site conditions, materials, and local practices.

Stone Strong LLC retains all common law, statutory, and other reserved rights to these drawings including the copyright. Limited license is granted to copy, reproduce, or modify the details to prepare construction drawings for Stone Strong retaining walls. Stone Strong LLC makes no warranties, either expressed or implied, of merchantability or fitness for any particular purpose, and accepts no responsibility for the accuracy, suitability, or completeness of information contained herein.

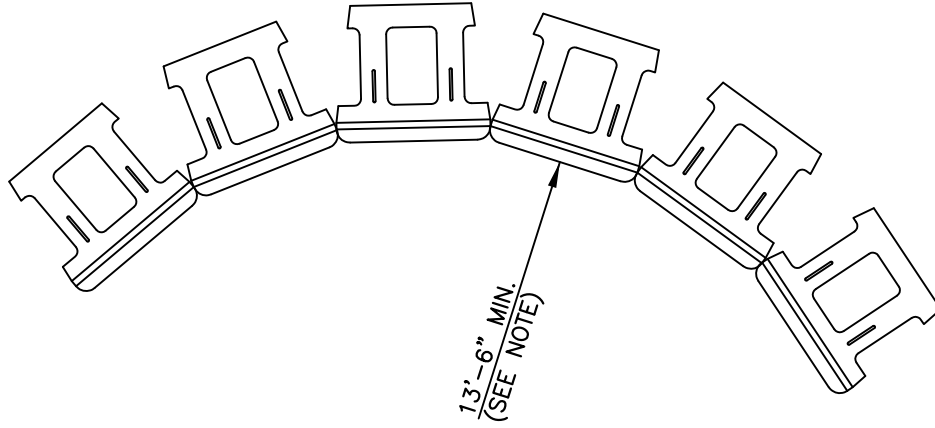


www.stonestrong.com

PROJECT

TYPICAL DETAILS
 STONE STRONG SYSTEMS

DATE: 2/10/16 FILE: 12_24sf.RadMin.Convex



Minimum Concave Radius		
Wall Height (ft)	Total # of Courses	Reqd. Radius at Top Course
3	2	13' 8"
4 1/2	3	13' 10"
6	4	14' 0"
7 1/2	5	14' 2"
9	6	14' 4"
10 1/2	7	14' 6"
12	8	14' 8"

NOTE:
 MINIMUM RADIUS OCCURS AT LOWEST COURSE.
 RADIUS INCREASES 2" PER COURSE
 ABOVE, AS SHOWN ON TABLE.

MINIMUM CONCAVE RADIUS—6SF UNITS

NOT TO SCALE

DISCLAIMER:

These typical details are preliminary and conceptual in nature. They are provided for general information purposes only. Anyone making use of these details and related information does so at their own risk and assumes all liability for such use. Site specific design should be performed by a licensed Professional Engineer based on actual site conditions, materials, and local practices.

Stone Strong LLC retains all common law, statutory, and other reserved rights to these drawings including the copyright. Limited license is granted to copy, reproduce, or modify the details to prepare construction drawings for Stone Strong retaining walls. Stone Strong LLC makes no warranties, either expressed or implied, of merchantability or fitness for any particular purpose, and accepts no responsibility for the accuracy, suitability, or completeness of information contained herein.



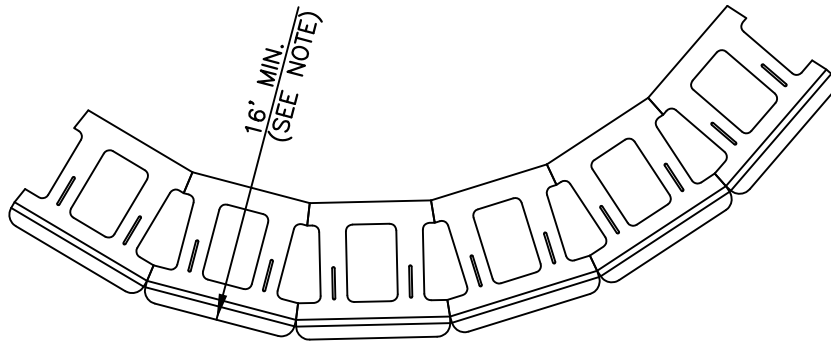
www.stonestrong.com

PROJECT

TYPICAL DETAILS
 STONE STRONG SYSTEMS

DATE: 2/10/16

FILE: 13_6sf.RadMin.Concave



NOTE:

NOTE: MINIMUM RADIUS OCCURS AT TOP COURSE.
 REQUIRED RADIUS INCREASES 2" PER COURSE
 BELOW, AS SHOWN ON TABLE.

Minimum Convex Radius		
Wall Height (ft)	Total # of Courses	Reqd. Radius at First Course
3	2	16' 2"
4 1/2	3	16' 4"
6	4	16' 6"
7 1/2	5	16' 8"
9	6	16' 10"
10 1/2	7	17' 0"
12	8	17' 2"

MINIMUM CONVEX RADIUS—6SF UNITS

NOT TO SCALE

DISCLAIMER:

These typical details are preliminary and conceptual in nature. They are provided for general information purposes only. Anyone making use of these details and related information does so at their own risk and assumes all liability for such use. Site specific design should be performed by a licensed Professional Engineer based on actual site conditions, materials, and local practices.

Stone Strong LLC retains all common law, statutory, and other reserved rights to these drawings including the copyright. Limited license is granted to copy, reproduce, or modify the details to prepare construction drawings for Stone Strong retaining walls. Stone Strong LLC makes no warranties, either expressed or implied, of merchantability or fitness for any particular purpose, and accepts no responsibility for the accuracy, suitability, or completeness of information contained herein.

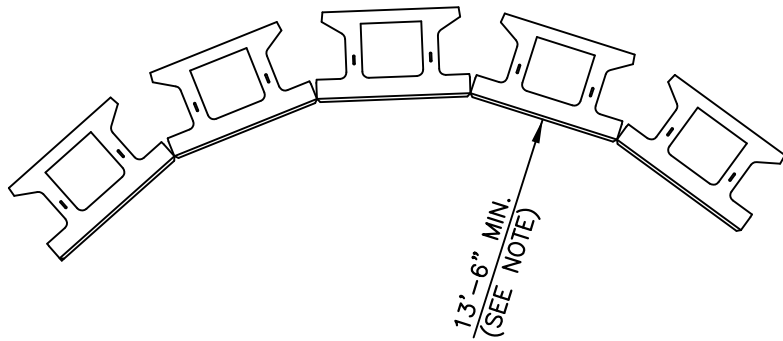


www.stonestrong.com

PROJECT

TYPICAL DETAILS
 STONE STRONG SYSTEMS

DATE: 2/10/16 FILE: 14_6sf.RadMin.Convex



Minimum Concave Radius		
Wall Height (ft)	Total # of Courses	Reqd. Radius at Top Course
3	2	13' 8"
4 1/2	3	13' 10"
6	4	14' 0"
7 1/2	5	14' 2"
9	6	14' 4"
10 1/2	7	14' 6"
12	8	14' 8"

NOTE:
 MINIMUM RADIUS OCCURS AT LOWEST COURSE.
 RADIUS INCREASES 2" PER COURSE
 ABOVE, AS SHOWN ON TABLE.

MINIMUM CONCAVE RADIUS-6-28 UNITS

NOT TO SCALE

CHECK ON AVAILABILITY OF ALL UNITS w/ LOCAL PRODUCER/ DEALER. SOME UNITS MAY HAVE LIMITED AVAILABILITY.

DISCLAIMER:

These typical details are preliminary and conceptual in nature. They are provided for general information purposes only. Anyone making use of these details and related information does so at their own risk and assumes all liability for such use. Site specific design should be performed by a licensed Professional Engineer based on actual site conditions, materials, and local practices.

Stone Strong LLC retains all common law, statutory, and other reserved rights to these drawings including the copyright. Limited license is granted to copy, reproduce, or modify the details to prepare construction drawings for Stone Strong retaining walls. Stone Strong LLC makes no warranties, either expressed or implied, of merchantability or fitness for any particular purpose, and accepts no responsibility for the accuracy, suitability, or completeness of information contained herein.



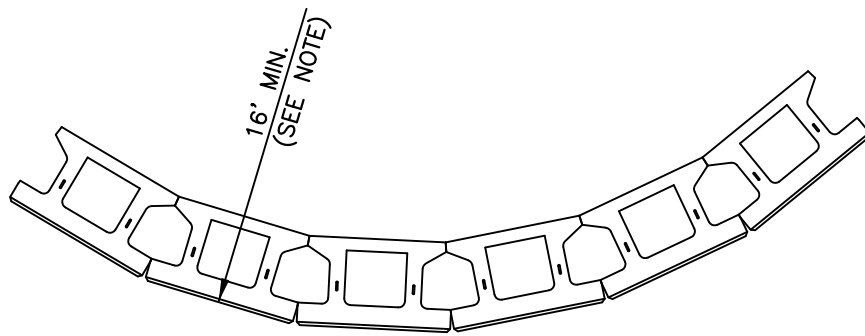
www.stonestrong.com

PROJECT

TYPICAL DETAILS
 STONE STRONG SYSTEMS

DATE: 2/10/16

FILE: 15_6-28.RadMin.Concave



NOTE:

NOTE: MINIMUM RADIUS OCCURS AT TOP COURSE.
 REQUIRED RADIUS INCREASES 2" PER COURSE
 BELOW, AS SHOWN ON TABLE.

Minimum Convex Radius		
Wall Height (ft)	Total # of Courses	Reqd. Radius at First Course
3	2	16' 2"
4 1/2	3	16' 4"
6	4	16' 6"
7 1/2	5	16' 8"
9	6	16' 10"
10 1/2	7	17' 0"
12	8	17' 2"

MINIMUM CONVEX RADIUS-6-28 UNITS

NOT TO SCALE

CHECK ON AVAILABILITY OF ALL UNITS w/ LOCAL PRODUCER/ DEALER. SOME UNITS MAY HAVE LIMITED AVAILABILITY.

DISCLAIMER:

These typical details are preliminary and conceptual in nature. They are provided for general information purposes only. Anyone making use of these details and related information does so at their own risk and assumes all liability for such use. Site specific design should be performed by a licensed Professional Engineer based on actual site conditions, materials, and local practices.

Stone Strong LLC retains all common law, statutory, and other reserved rights to these drawings including the copyright. Limited license is granted to copy, reproduce, or modify the details to prepare construction drawings for Stone Strong retaining walls. Stone Strong LLC makes no warranties, either expressed or implied, of merchantability or fitness for any particular purpose, and accepts no responsibility for the accuracy, suitability, or completeness of information contained herein.



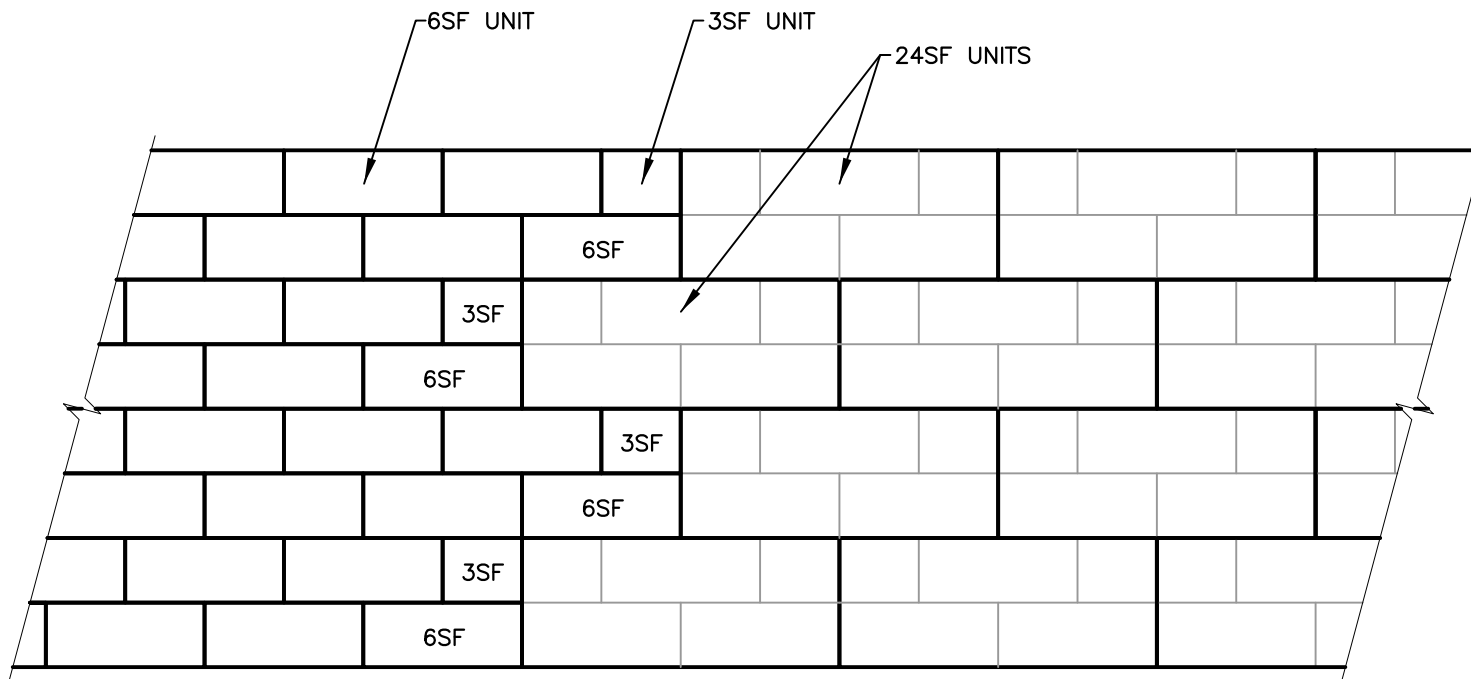
www.stonestrong.com

PROJECT

TYPICAL DETAILS
 STONE STRONG SYSTEMS

DATE: 2/10/16

FILE: 16_6-28.RadMin.Convex



TRANSITION 24SF TO 6SF
NOT TO SCALE

DISCLAIMER:

These typical details are preliminary and conceptual in nature. They are provided for general information purposes only. Anyone making use of these details and related information does so at their own risk and assumes all liability for such use. Site specific design should be performed by a licensed Professional Engineer based on actual site conditions, materials, and local practices.

Stone Strong LLC retains all common law, statutory, and other reserved rights to these drawings including the copyright. Limited license is granted to copy, reproduce, or modify the details to prepare construction drawings for Stone Strong retaining walls. Stone Strong LLC makes no warranties, either expressed or implied, of merchantability or fitness for any particular purpose, and accepts no responsibility for the accuracy, suitability, or completeness of information contained herein.



www.stonestrong.com

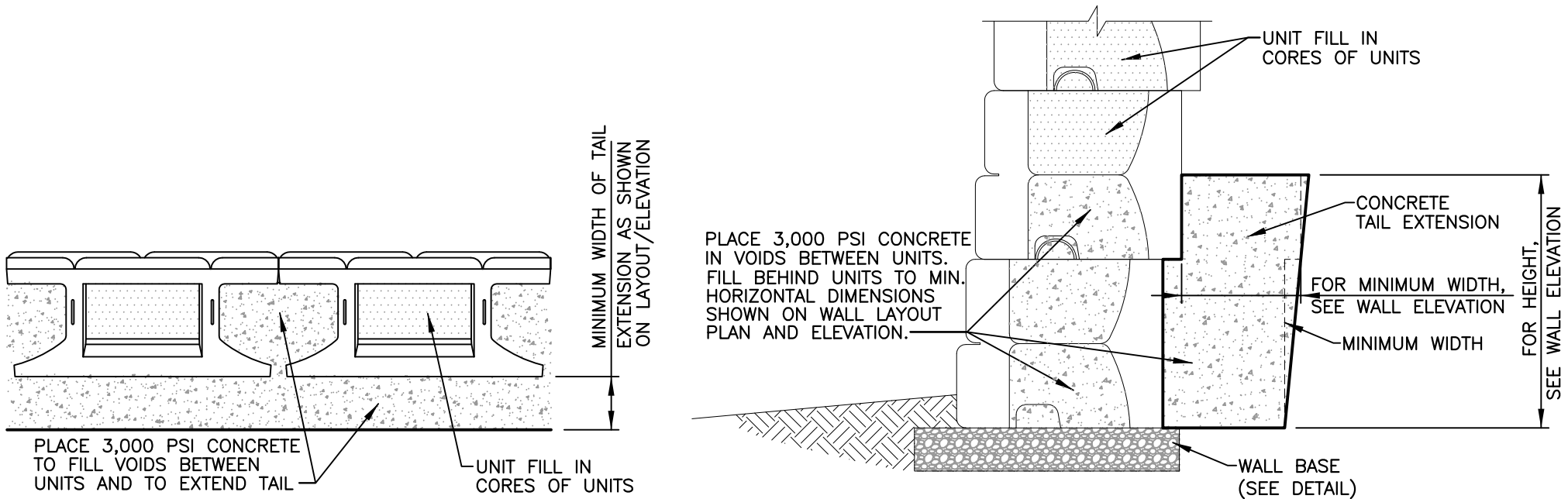
PROJECT

TYPICAL DETAILS
STONE STRONG SYSTEMS

DATE: 2/10/16 | FILE: 17_24sf-6sf.Transition

NOTE:

ON CONVEX CURVES, PROVIDE REINFORCEMENT TO ATTACH EXTENSION DUE TO REDUCED OPENING WIDTH BETWEEN TAILS.



24SF CONCRETE TAIL EXTENSION DETAIL (CAST-IN-PLACE)

NOT TO SCALE

DISCLAIMER:

These typical details are preliminary and conceptual in nature. They are provided for general information purposes only. Anyone making use of these details and related information does so at their own risk and assumes all liability for such use. Site specific design should be performed by a licensed Professional Engineer based on actual site conditions, materials, and local practices.

Stone Strong LLC retains all common law, statutory, and other reserved rights to these drawings including the copyright. Limited license is granted to copy, reproduce, or modify the details to prepare construction drawings for Stone Strong retaining walls. Stone Strong LLC makes no warranties, either expressed or implied, of merchantability or fitness for any particular purpose, and accepts no responsibility for the accuracy, suitability, or completeness of information contained herein.



www.stonestrong.com

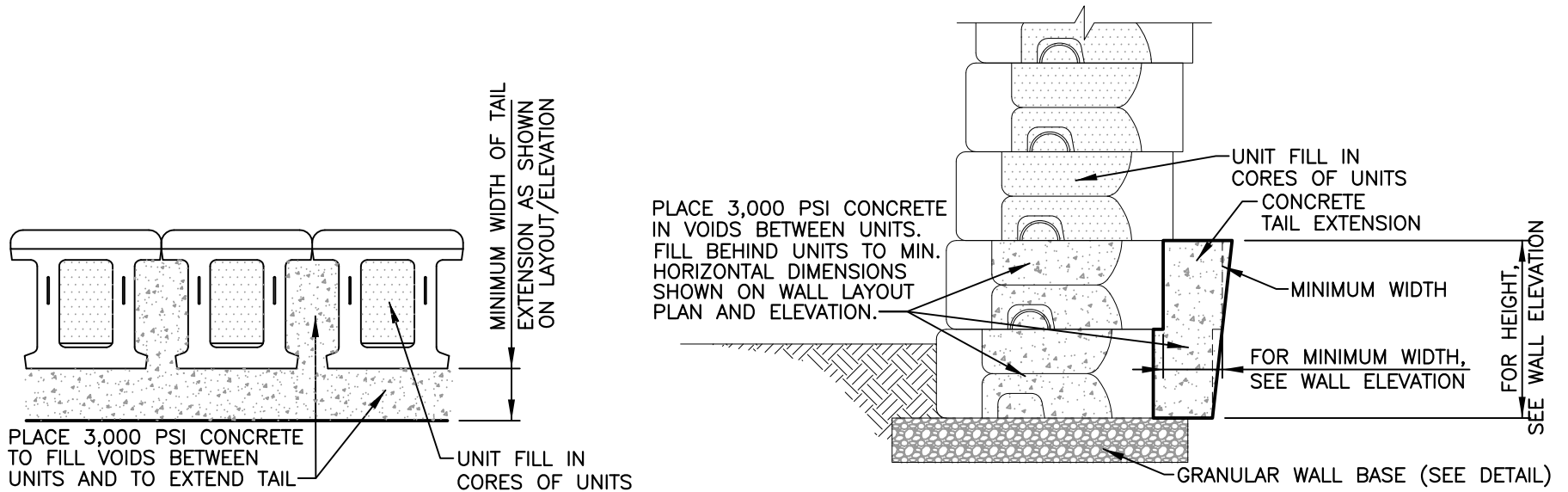
PROJECT

TYPICAL DETAILS
STONE STRONG SYSTEMS

DATE: 1/10/17 | FILE: 18_24sf.TailExt.CIP

NOTE:

ON CONVEX CURVES, PROVIDE REINFORCEMENT TO ATTACH EXTENSION DUE TO REDUCED OPENING WIDTH BETWEEN TAILS.



6SF CONCRETE TAIL EXTENSION DETAIL (CAST-IN-PLACE)

NOT TO SCALE

DISCLAIMER:

These typical details are preliminary and conceptual in nature. They are provided for general information purposes only. Anyone making use of these details and related information does so at their own risk and assumes all liability for such use. Site specific design should be performed by a licensed Professional Engineer based on actual site conditions, materials, and local practices.

Stone Strong LLC retains all common law, statutory, and other reserved rights to these drawings including the copyright. Limited license is granted to copy, reproduce, or modify the details to prepare construction drawings for Stone Strong retaining walls. Stone Strong LLC makes no warranties, either expressed or implied, of merchantability or fitness for any particular purpose, and accepts no responsibility for the accuracy, suitability, or completeness of information contained herein.



www.stonestrong.com

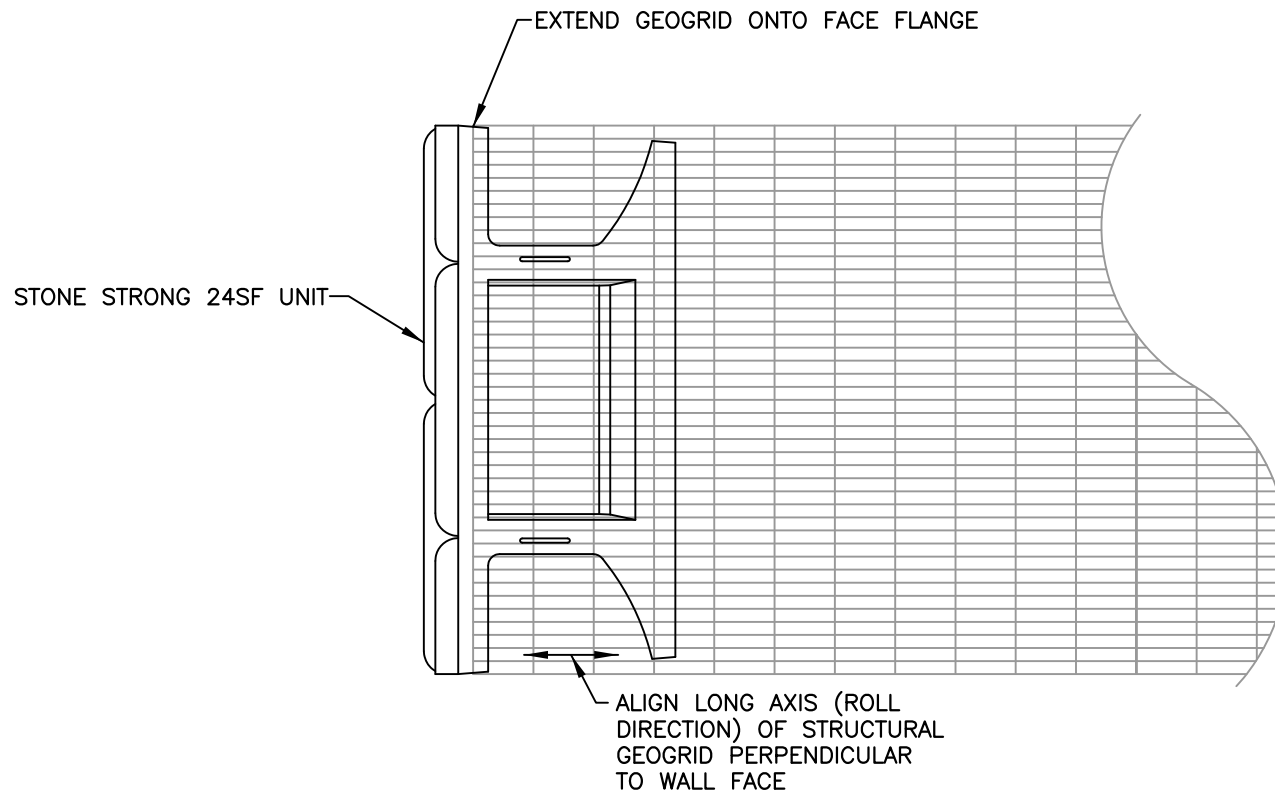
PROJECT

TYPICAL DETAILS
STONE STRONG SYSTEMS

DATE: 1/10/17 | FILE: 19_6sf.TailExt.CIP

NOTE:

USE REINFORCED 24SF UNITS BELOW TOP 12' IN GEOGRID REINFORCED WALLS.
SEE FACE AND WEB MESH DETAILS FOR OPTIONAL REINFORCEMENT GRID.



24SF GEOGRID ORIENTATION

NOT TO SCALE

DISCLAIMER:

These typical details are preliminary and conceptual in nature. They are provided for general information purposes only. Anyone making use of these details and related information does so at their own risk and assumes all liability for such use. Site specific design should be performed by a licensed Professional Engineer based on actual site conditions, materials, and local practices.

Stone Strong LLC retains all common law, statutory, and other reserved rights to these drawings including the copyright. Limited license is granted to copy, reproduce, or modify the details to prepare construction drawings for Stone Strong retaining walls. Stone Strong LLC makes no warranties, either expressed or implied, of merchantability or fitness for any particular purpose, and accepts no responsibility for the accuracy, suitability, or completeness of information contained herein.

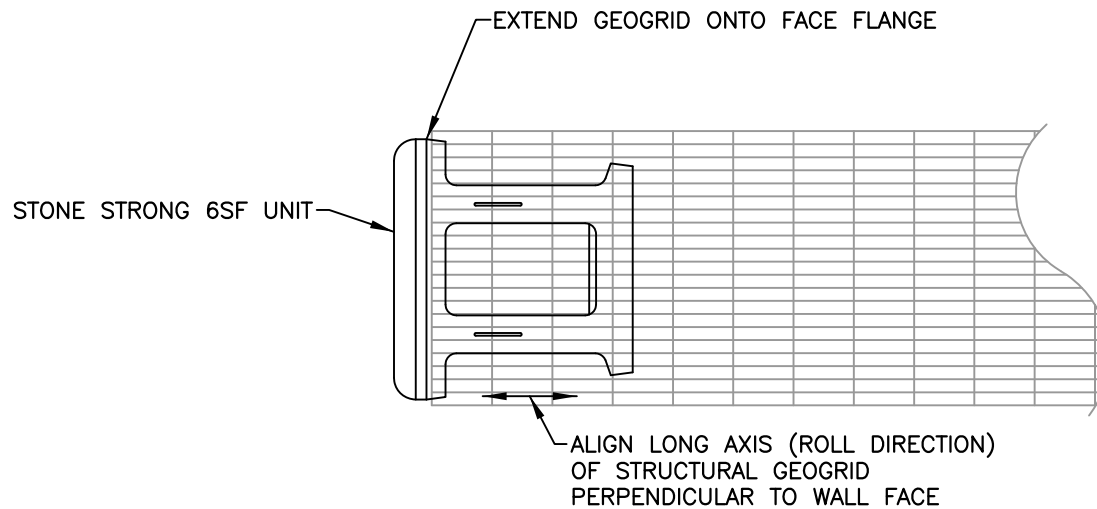


www.stonestrong.com

PROJECT

TYPICAL DETAILS
STONE STRONG SYSTEMS

DATE: 2/10/16 | FILE: 20_24sf.GridOrient



6SF GEOGRID ORIENTATION

NOT TO SCALE

DISCLAIMER:

These typical details are preliminary and conceptual in nature. They are provided for general information purposes only. Anyone making use of these details and related information does so at their own risk and assumes all liability for such use. Site specific design should be performed by a licensed Professional Engineer based on actual site conditions, materials, and local practices.

Stone Strong LLC retains all common law, statutory, and other reserved rights to these drawings including the copyright. Limited license is granted to copy, reproduce, or modify the details to prepare construction drawings for Stone Strong retaining walls. Stone Strong LLC makes no warranties, either expressed or implied, of merchantability or fitness for any particular purpose, and accepts no responsibility for the accuracy, suitability, or completeness of information contained herein.



www.stonestrong.com

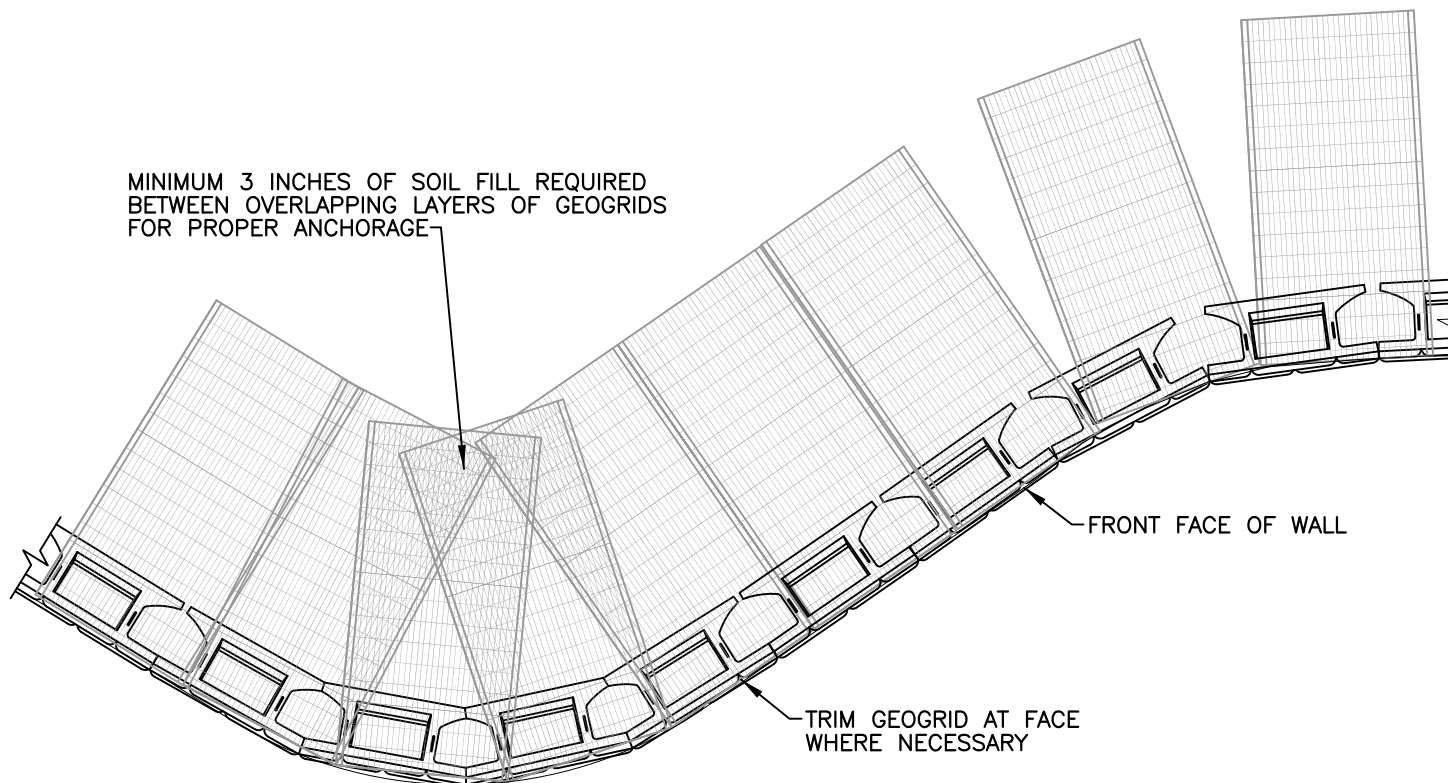
PROJECT

TYPICAL DETAILS
STONE STRONG SYSTEMS

DATE: 2/10/16 | FILE: 21_6sf.GridOrient

NOTE:

USE REINFORCED 24SF UNITS BELOW TOP 12' IN GEOGRID REINFORCED WALLS.
SEE FACE AND WEB MESH DETAILS FOR OPTIONAL REINFORCEMENT GRID.



24SF GEOGRID PLACEMENT ON CURVES

NOT TO SCALE

DISCLAIMER:

These typical details are preliminary and conceptual in nature. They are provided for general information purposes only. Anyone making use of these details and related information does so at their own risk and assumes all liability for such use. Site specific design should be performed by a licensed Professional Engineer based on actual site conditions, materials, and local practices.

Stone Strong LLC retains all common law, statutory, and other reserved rights to these drawings including the copyright. Limited license is granted to copy, reproduce, or modify the details to prepare construction drawings for Stone Strong retaining walls. Stone Strong LLC makes no warranties, either expressed or implied, of merchantability or fitness for any particular purpose, and accepts no responsibility for the accuracy, suitability, or completeness of information contained herein.

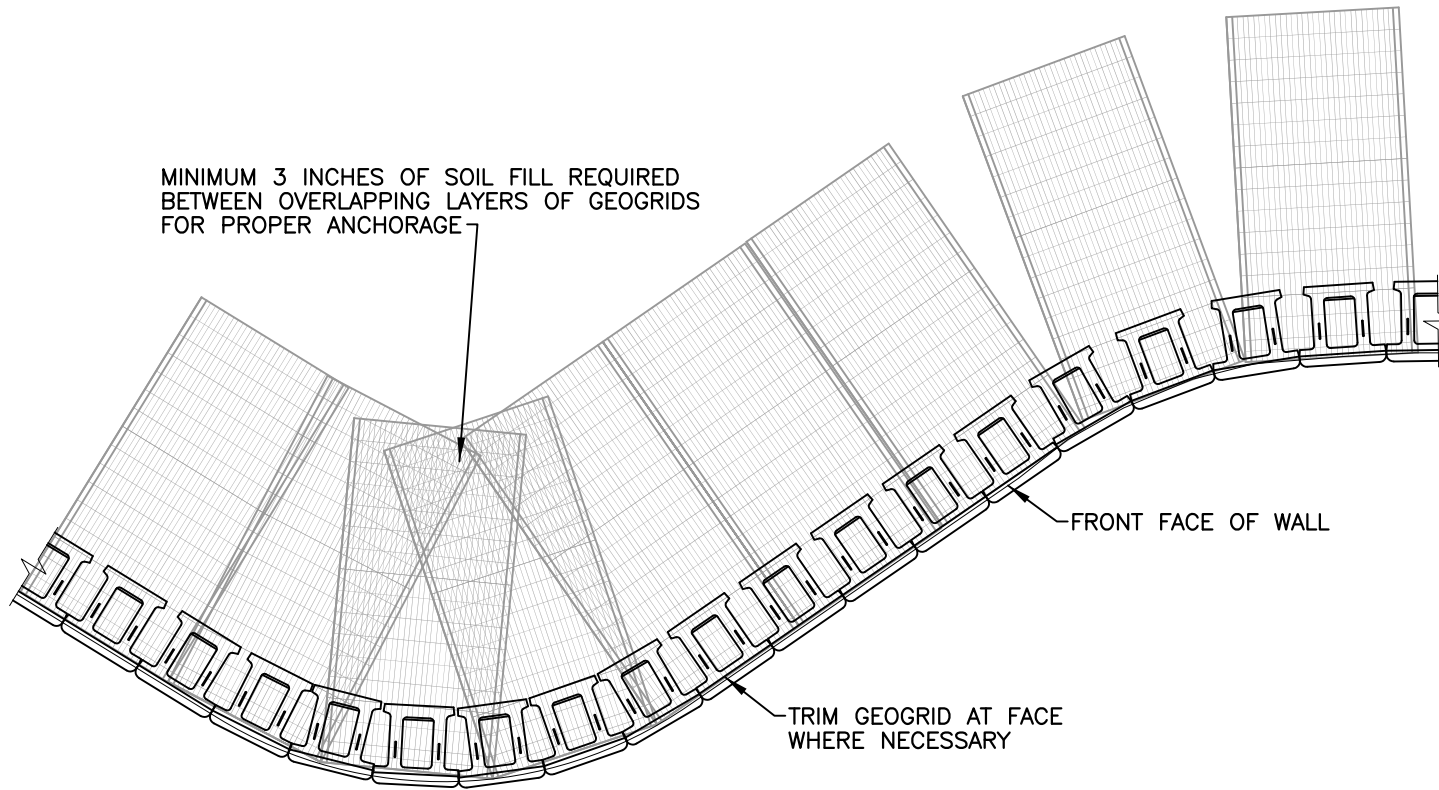


www.stonestrong.com

PROJECT

TYPICAL DETAILS
STONE STRONG SYSTEMS

DATE: 2/10/16 | FILE: 22_24sf.Grid.Curves



6SF GEOGRID PLACEMENT ON CURVES

NOT TO SCALE

DISCLAIMER:

These typical details are preliminary and conceptual in nature. They are provided for general information purposes only. Anyone making use of these details and related information does so at their own risk and assumes all liability for such use. Site specific design should be performed by a licensed Professional Engineer based on actual site conditions, materials, and local practices.

Stone Strong LLC retains all common law, statutory, and other reserved rights to these drawings including the copyright. Limited license is granted to copy, reproduce, or modify the details to prepare construction drawings for Stone Strong retaining walls. Stone Strong LLC makes no warranties, either expressed or implied, of merchantability or fitness for any particular purpose, and accepts no responsibility for the accuracy, suitability, or completeness of information contained herein.

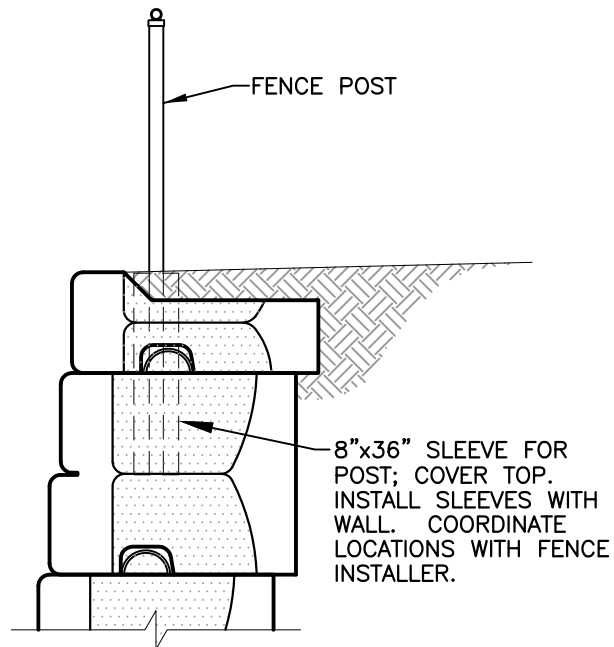


www.stonestrong.com

PROJECT

TYPICAL DETAILS
STONE STRONG SYSTEMS

DATE: 2/10/16 | FILE: 23_6sf.Grid.Curves



FENCE SLEEVE
NOT TO SCALE

DISCLAIMER:

These typical details are preliminary and conceptual in nature. They are provided for general information purposes only. Anyone making use of these details and related information does so at their own risk and assumes all liability for such use. Site specific design should be performed by a licensed Professional Engineer based on actual site conditions, materials, and local practices.

Stone Strong LLC retains all common law, statutory, and other reserved rights to these drawings including the copyright. Limited license is granted to copy, reproduce, or modify the details to prepare construction drawings for Stone Strong retaining walls. Stone Strong LLC makes no warranties, either expressed or implied, of merchantability or fitness for any particular purpose, and accepts no responsibility for the accuracy, suitability, or completeness of information contained herein.

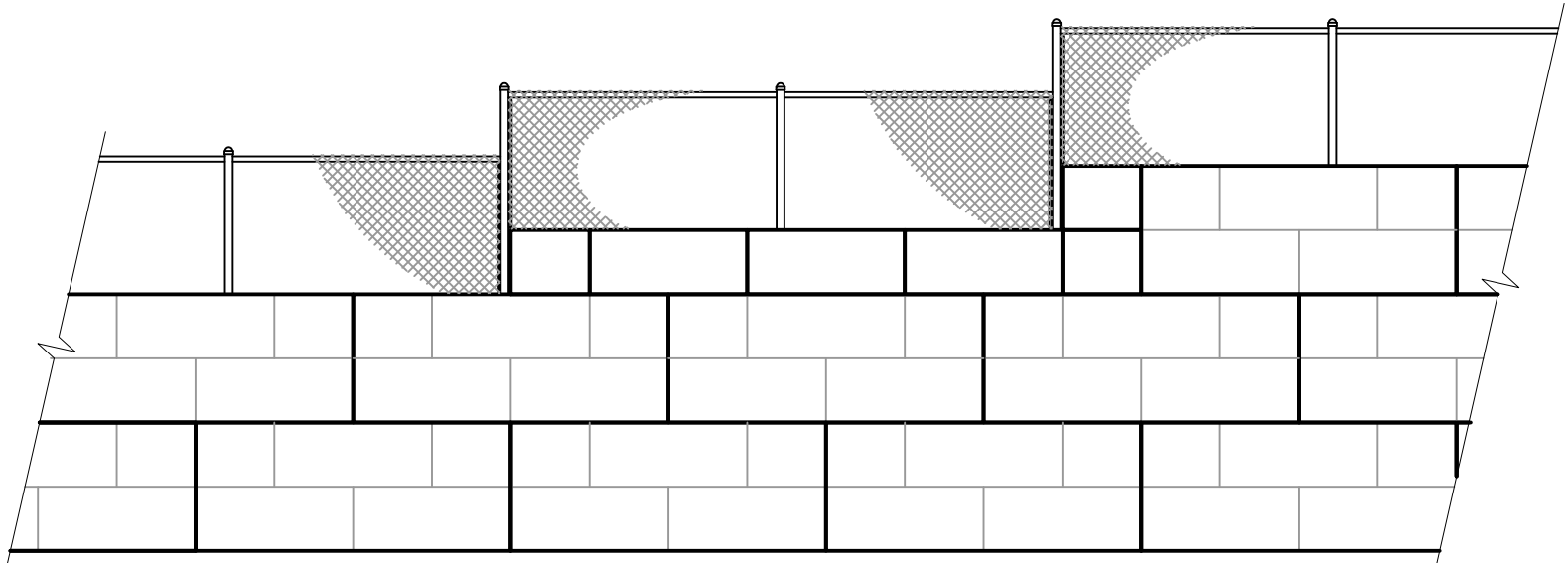


www.stonestrong.com

PROJECT

TYPICAL DETAILS
STONE STRONG SYSTEMS

DATE: 2/10/16 FILE: 24_6sf.FenceSleeve



TYPICAL FENCE CONFIGURATION

NOT TO SCALE

DISCLAIMER:

These typical details are preliminary and conceptual in nature. They are provided for general information purposes only. Anyone making use of these details and related information does so at their own risk and assumes all liability for such use. Site specific design should be performed by a licensed Professional Engineer based on actual site conditions, materials, and local practices.

Stone Strong LLC retains all common law, statutory, and other reserved rights to these drawings including the copyright. Limited license is granted to copy, reproduce, or modify the details to prepare construction drawings for Stone Strong retaining walls. Stone Strong LLC makes no warranties, either expressed or implied, of merchantability or fitness for any particular purpose, and accepts no responsibility for the accuracy, suitability, or completeness of information contained herein.

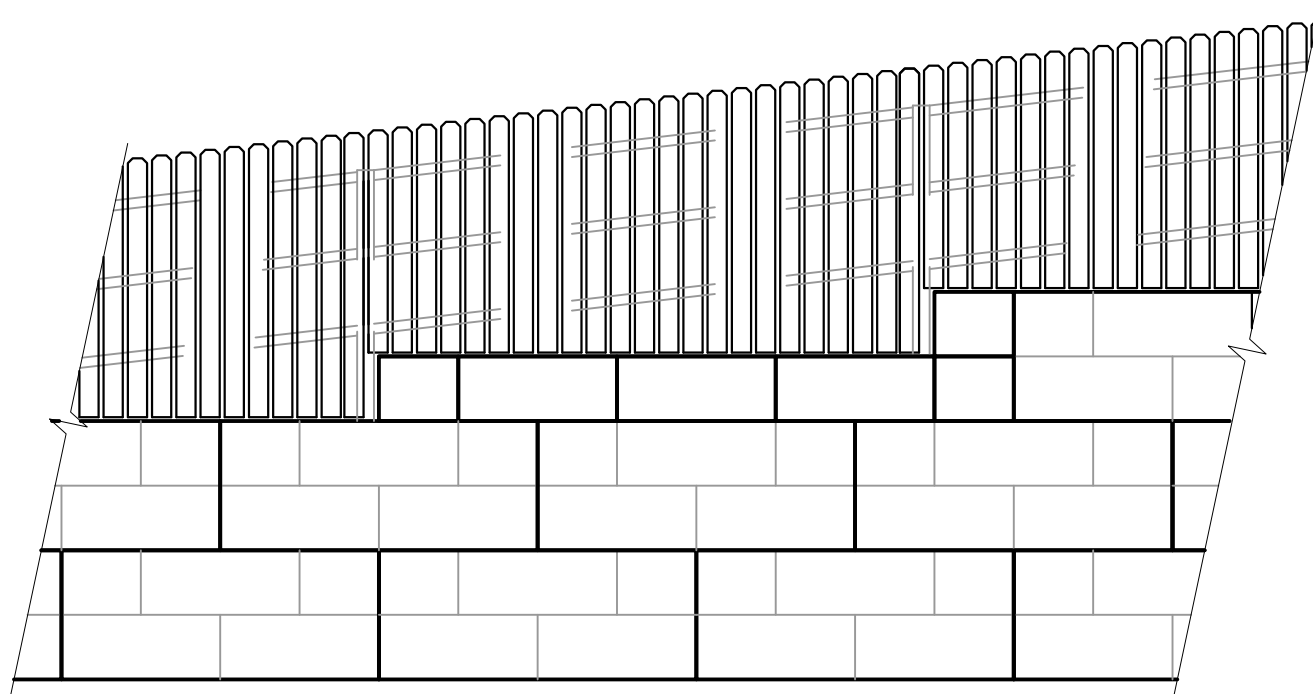


www.stonestrong.com

PROJECT

TYPICAL DETAILS
STONE STRONG SYSTEMS

DATE: 2/10/16 | FILE: 25_FenceConfig.Type



OPTIONAL FENCE CONFIGURATION

NOT TO SCALE

DISCLAIMER:

These typical details are preliminary and conceptual in nature. They are provided for general information purposes only. Anyone making use of these details and related information does so at their own risk and assumes all liability for such use. Site specific design should be performed by a licensed Professional Engineer based on actual site conditions, materials, and local practices.

Stone Strong LLC retains all common law, statutory, and other reserved rights to these drawings including the copyright. Limited license is granted to copy, reproduce, or modify the details to prepare construction drawings for Stone Strong retaining walls. Stone Strong LLC makes no warranties, either expressed or implied, of merchantability or fitness for any particular purpose, and accepts no responsibility for the accuracy, suitability, or completeness of information contained herein.

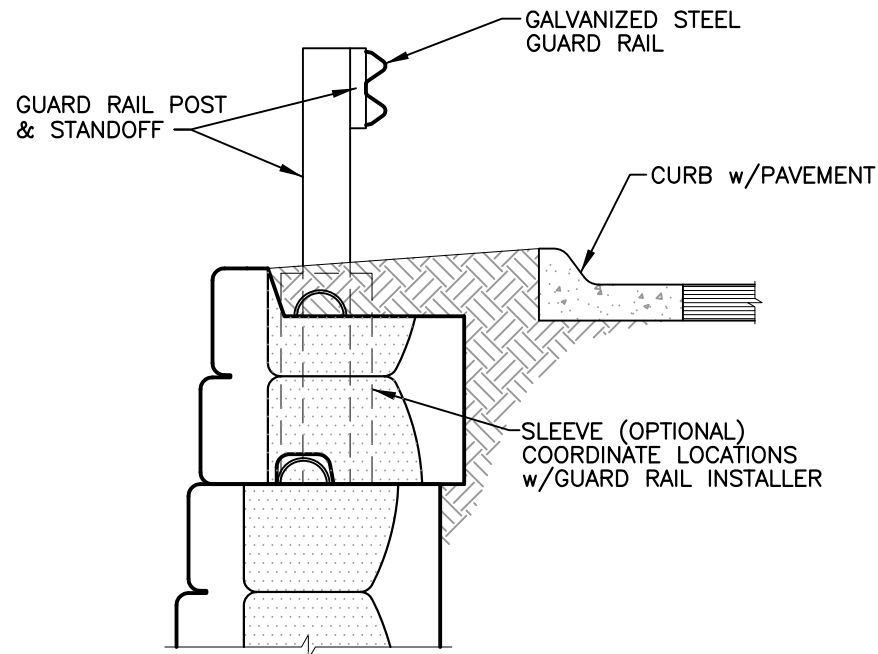


www.stonestrong.com

PROJECT

TYPICAL DETAILS
STONE STRONG SYSTEMS

DATE: 2/10/16 | FILE: 26_FenceConfig.Opt



WALL w/GUARD RAIL
NOT TO SCALE

DISCLAIMER:

These typical details are preliminary and conceptual in nature. They are provided for general information purposes only. Anyone making use of these details and related information does so at their own risk and assumes all liability for such use. Site specific design should be performed by a licensed Professional Engineer based on actual site conditions, materials, and local practices.

Stone Strong LLC retains all common law, statutory, and other reserved rights to these drawings including the copyright. Limited license is granted to copy, reproduce, or modify the details to prepare construction drawings for Stone Strong retaining walls. Stone Strong LLC makes no warranties, either expressed or implied, of merchantability or fitness for any particular purpose, and accepts no responsibility for the accuracy, suitability, or completeness of information contained herein.

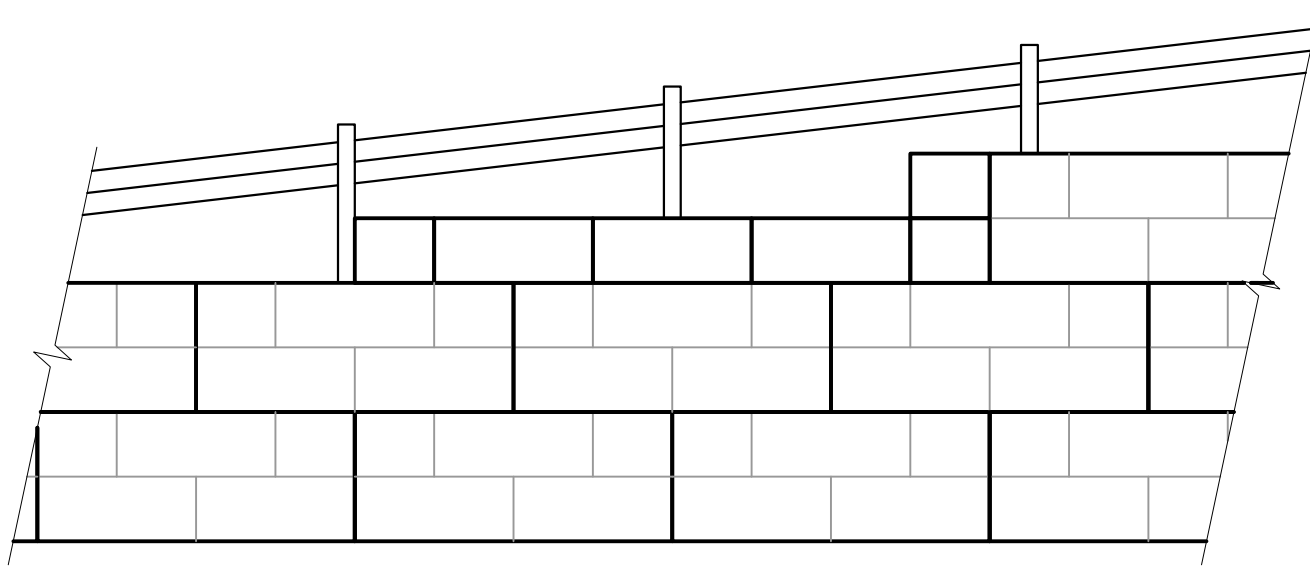


www.stonestrong.com

PROJECT

TYPICAL DETAILS
STONE STRONG SYSTEMS

DATE: 2/10/16 | FILE: 27_GuardRail



TYPICAL GUARDRAIL CONFIGURATION
NOT TO SCALE

DISCLAIMER:

These typical details are preliminary and conceptual in nature. They are provided for general information purposes only. Anyone making use of these details and related information does so at their own risk and assumes all liability for such use. Site specific design should be performed by a licensed Professional Engineer based on actual site conditions, materials, and local practices.

Stone Strong LLC retains all common law, statutory, and other reserved rights to these drawings including the copyright. Limited license is granted to copy, reproduce, or modify the details to prepare construction drawings for Stone Strong retaining walls. Stone Strong LLC makes no warranties, either expressed or implied, of merchantability or fitness for any particular purpose, and accepts no responsibility for the accuracy, suitability, or completeness of information contained herein.



www.stonestrong.com

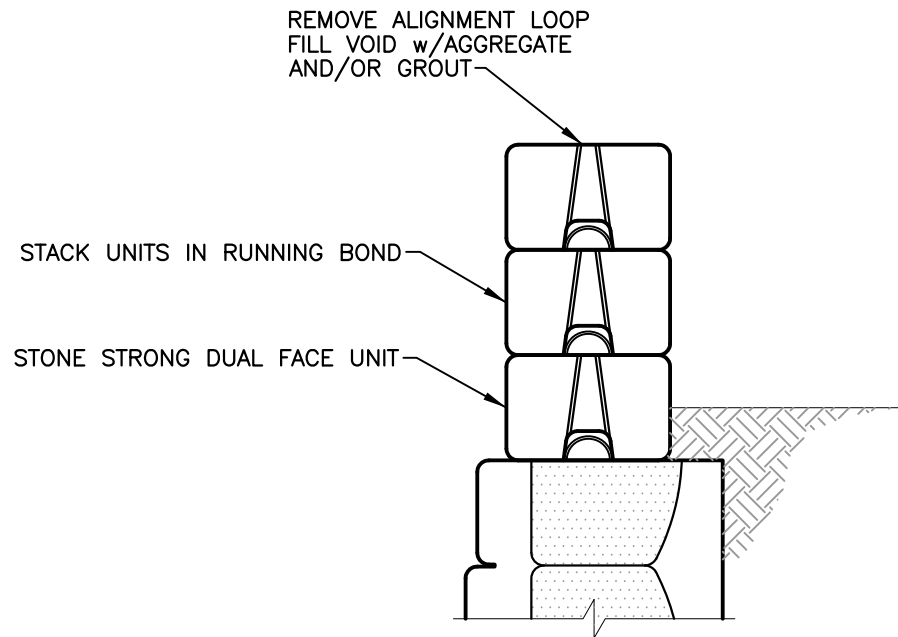
PROJECT

TYPICAL DETAILS
STONE STRONG SYSTEMS

DATE: 2/10/16 | FILE: 28_GuardRail.Config

NOTE:

NO REPRESENTATION IS MADE ON STRENGTH OR CAPACITY OF PARAPET FOR BARRIER USE. USER SHOULD DETERMINE CAPABILITY OR SUITABILITY FOR INTENDED APPLICATION.



DUAL FACE PARAPET WALL

NOT TO SCALE

CHECK ON AVAILABILITY OF ALL UNITS w/ LOCAL PRODUCER/
DEALER. SOME UNITS MAY HAVE LIMITED AVAILABILITY.

DISCLAIMER:

These typical details are preliminary and conceptual in nature. They are provided for general information purposes only. Anyone making use of these details and related information does so at their own risk and assumes all liability for such use. Site specific design should be performed by a licensed Professional Engineer based on actual site conditions, materials, and local practices.

Stone Strong LLC retains all common law, statutory, and other reserved rights to these drawings including the copyright. Limited license is granted to copy, reproduce, or modify the details to prepare construction drawings for Stone Strong retaining walls. Stone Strong LLC makes no warranties, either expressed or implied, of merchantability or fitness for any particular purpose, and accepts no responsibility for the accuracy, suitability, or completeness of information contained herein.



www.stonestrong.com

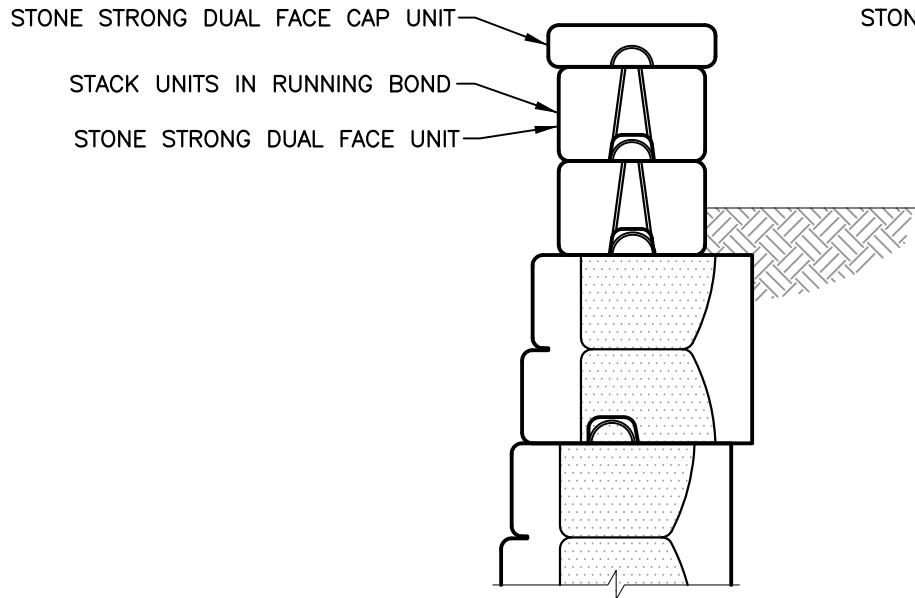
PROJECT

TYPICAL DETAILS
STONE STRONG SYSTEMS

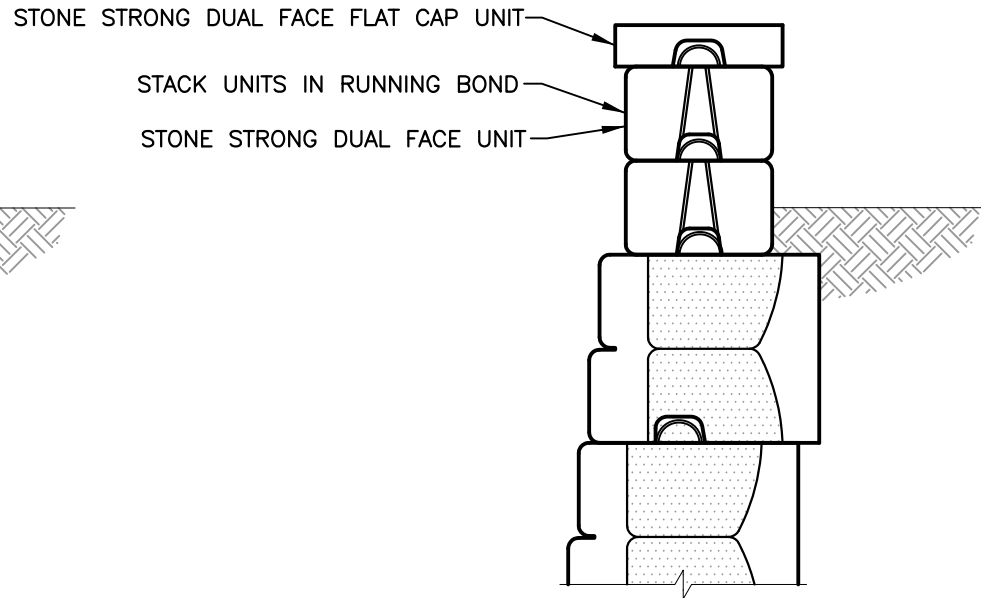
DATE: 2/10/16 | FILE: 29_DF.Parapet

NOTE:

NO REPRESENTATION IS MADE ON STRENGTH OR CAPACITY OF PARAPET FOR BARRIER USE. USER SHOULD DETERMINE CAPABILITY OR SUITABILITY FOR INTENDED APPLICATION.



DUAL FACE PARAPET
WALL w/CAP
NOT TO SCALE



DUAL FACE PARAPET
WALL w/FLAT CAP
NOT TO SCALE

CHECK ON AVAILABILITY OF ALL UNITS w/ LOCAL PRODUCER/ DEALER. SOME UNITS MAY HAVE LIMITED AVAILABILITY.

DISCLAIMER:

These typical details are preliminary and conceptual in nature. They are provided for general information purposes only. Anyone making use of these details and related information does so at their own risk and assumes all liability for such use. Site specific design should be performed by a licensed Professional Engineer based on actual site conditions, materials, and local practices.

Stone Strong LLC retains all common law, statutory, and other reserved rights to these drawings including the copyright. Limited license is granted to copy, reproduce, or modify the details to prepare construction drawings for Stone Strong retaining walls. Stone Strong LLC makes no warranties, either expressed or implied, of merchantability or fitness for any particular purpose, and accepts no responsibility for the accuracy, suitability, or completeness of information contained herein.



www.stonestrong.com

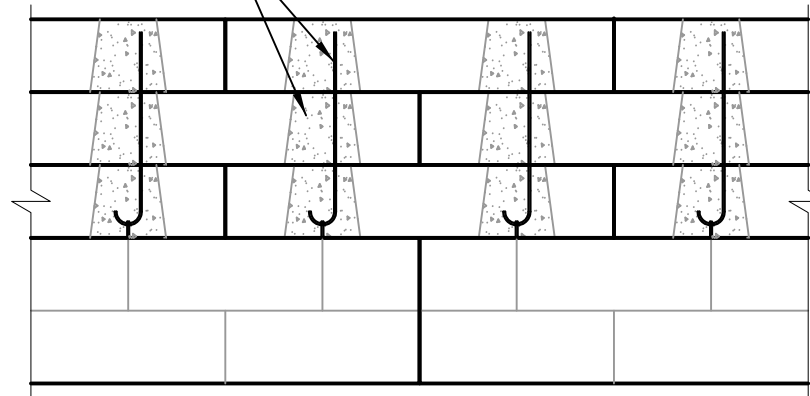
PROJECT

TYPICAL DETAILS
STONE STRONG SYSTEMS

DATE: 2/10/16 | FILE: 30_DF.Parapet.Cap

NOTE:
NO REPRESENTATION IS MADE ON STRENGTH OR CAPACITY FOR BARRIER APPLICATION. USER SHOULD DETERMINE CAPABILITY OR SUITABILITY FOR INTENDED APPLICATION.

REINFORCE & GROUT VOIDS TO INCREASE PARAPET STRENGTH PER SPECIFIC APPLICATION



OPTIONAL PARAPET REINFORCEMENT

NOT TO SCALE

CHECK ON AVAILABILITY OF ALL UNITS w/ LOCAL PRODUCER/ DEALER. SOME UNITS MAY HAVE LIMITED AVAILABILITY.

DISCLAIMER:

These typical details are preliminary and conceptual in nature. They are provided for general information purposes only. Anyone making use of these details and related information does so at their own risk and assumes all liability for such use. Site specific design should be performed by a licensed Professional Engineer based on actual site conditions, materials, and local practices.

Stone Strong LLC retains all common law, statutory, and other reserved rights to these drawings including the copyright. Limited license is granted to copy, reproduce, or modify the details to prepare construction drawings for Stone Strong retaining walls. Stone Strong LLC makes no warranties, either expressed or implied, of merchantability or fitness for any particular purpose, and accepts no responsibility for the accuracy, suitability, or completeness of information contained herein.



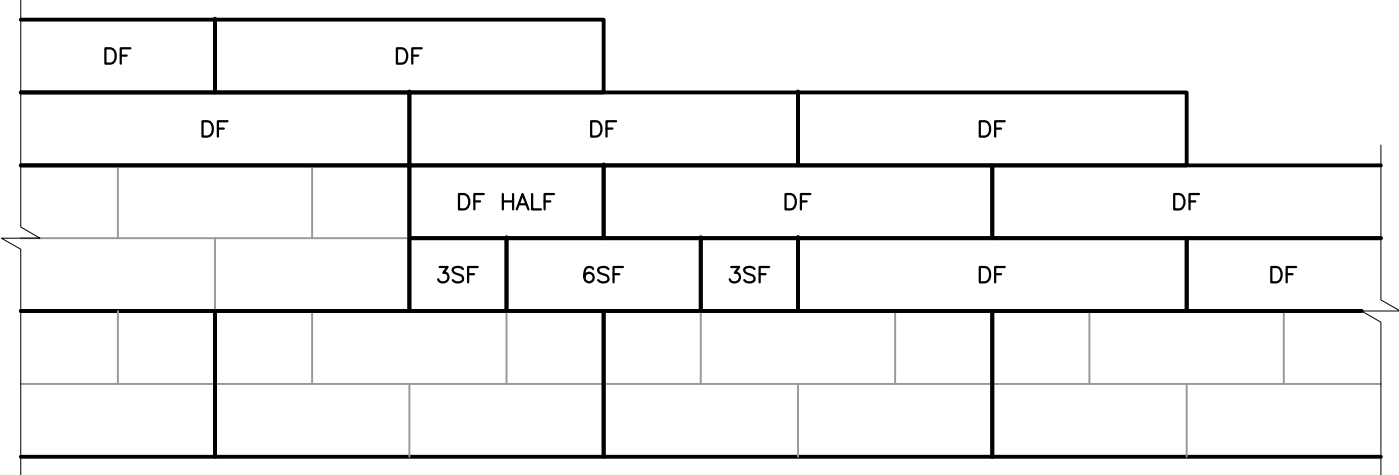
www.stonestrong.com

PROJECT

TYPICAL DETAILS
STONE STRONG SYSTEMS

DATE: 2/10/16 | FILE: 31_DF.Parapet.Reinforce

NOTE:
 USER SHOULD DETERMINE CAPABILITY
 OR SUITABILITY OF PARAPET FOR BARRIER
 LOADING.




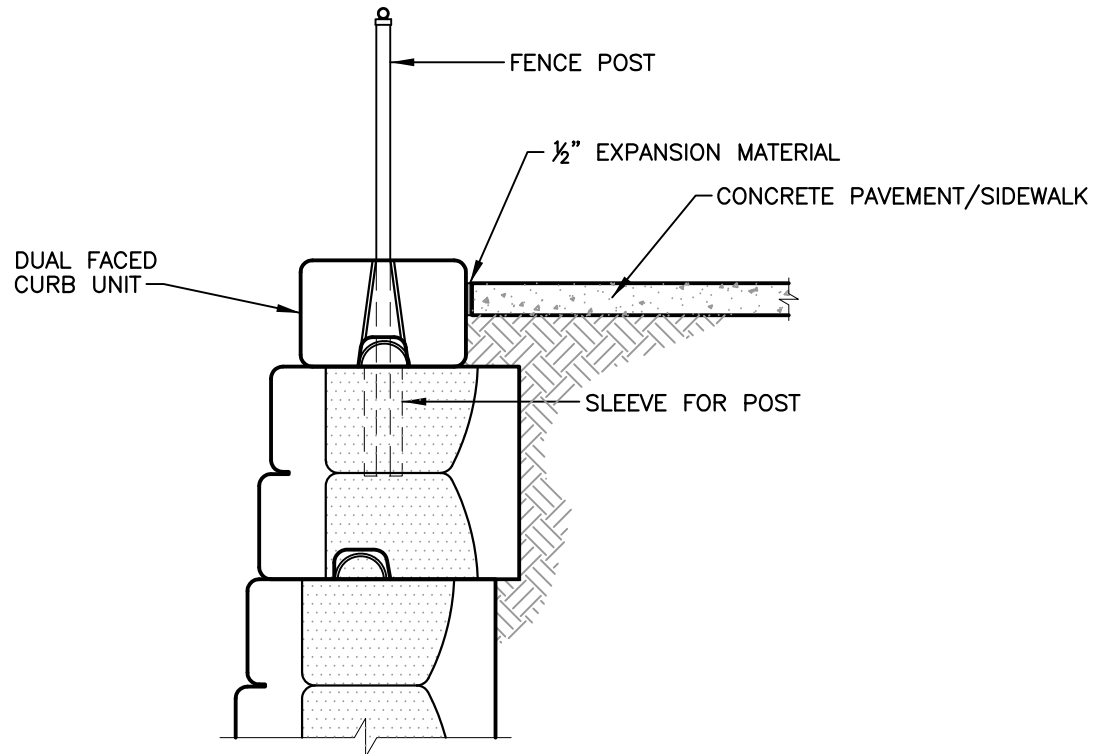
DUAL FACE PARAPET WALL STEP
 NOT TO SCALE

CHECK ON AVAILABILITY OF ALL UNITS w/ LOCAL PRODUCER/
 DEALER. SOME UNITS MAY HAVE LIMITED AVAILABILITY.

DISCLAIMER:
 These typical details are preliminary and conceptual in nature. They are provided for general information purposes only. Anyone making use of these details and related information does so at their own risk and assumes all liability for such use. Site specific design should be performed by a licensed Professional Engineer based on actual site conditions, materials, and local practices.

Stone Strong LLC retains all common law, statutory, and other reserved rights to these drawings including the copyright. Limited license is granted to copy, reproduce, or modify the details to prepare construction drawings for Stone Strong retaining walls. Stone Strong LLC makes no warranties, either expressed or implied, of merchantability or fitness for any particular purpose, and accepts no responsibility for the accuracy, suitability, or completeness of information contained herein.

 www.stonestrong.com	PROJECT TYPICAL DETAILS STONE STRONG SYSTEMS
	DATE: 2/10/16 FILE: 32_DF.Parapet.Step



DUAL FACE CURB w/SIDEWALK

NOT TO SCALE

CHECK ON AVAILABILITY OF ALL UNITS w/ LOCAL PRODUCER/ DEALER. SOME UNITS MAY HAVE LIMITED AVAILABILITY.

DISCLAIMER:

These typical details are preliminary and conceptual in nature. They are provided for general information purposes only. Anyone making use of these details and related information does so at their own risk and assumes all liability for such use. Site specific design should be performed by a licensed Professional Engineer based on actual site conditions, materials, and local practices.

Stone Strong LLC retains all common law, statutory, and other reserved rights to these drawings including the copyright. Limited license is granted to copy, reproduce, or modify the details to prepare construction drawings for Stone Strong retaining walls. Stone Strong LLC makes no warranties, either expressed or implied, of merchantability or fitness for any particular purpose, and accepts no responsibility for the accuracy, suitability, or completeness of information contained herein.



www.stonestrong.com

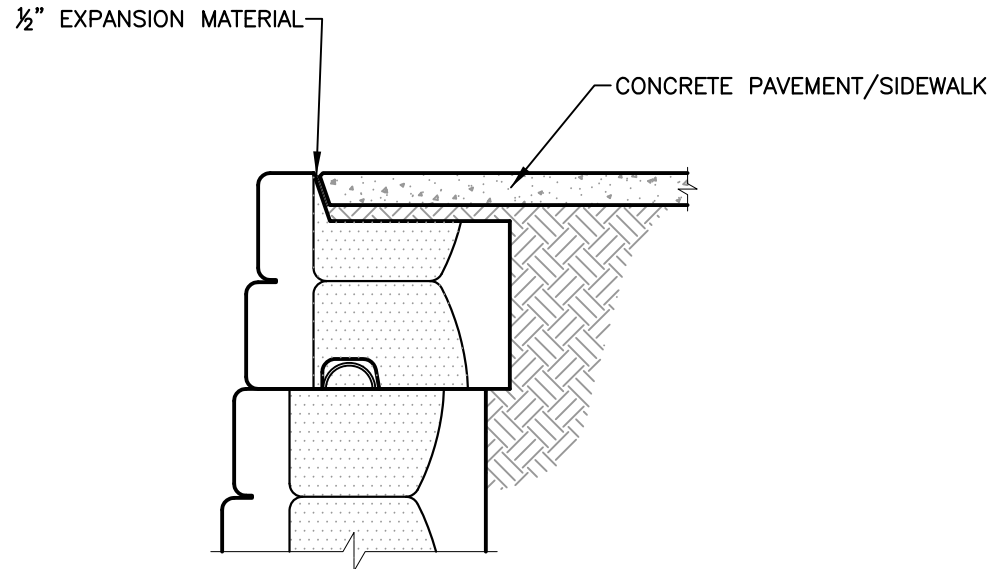
PROJECT

TYPICAL DETAILS
STONE STRONG SYSTEMS

DATE: 2/10/16

FILE: 33_DF.Sidewalk

NOTE:
FOR LEVEL GRADES ONLY. CONSIDER
STEP TRANSITIONS FOR SLOPING
GRADES.



TOP OF WALL w/SIDEWALK
NOT TO SCALE

DISCLAIMER:

These typical details are preliminary and conceptual in nature. They are provided for general information purposes only. Anyone making use of these details and related information does so at their own risk and assumes all liability for such use. Site specific design should be performed by a licensed Professional Engineer based on actual site conditions, materials, and local practices.

Stone Strong LLC retains all common law, statutory, and other reserved rights to these drawings including the copyright. Limited license is granted to copy, reproduce, or modify the details to prepare construction drawings for Stone Strong retaining walls. Stone Strong LLC makes no warranties, either expressed or implied, of merchantability or fitness for any particular purpose, and accepts no responsibility for the accuracy, suitability, or completeness of information contained herein.



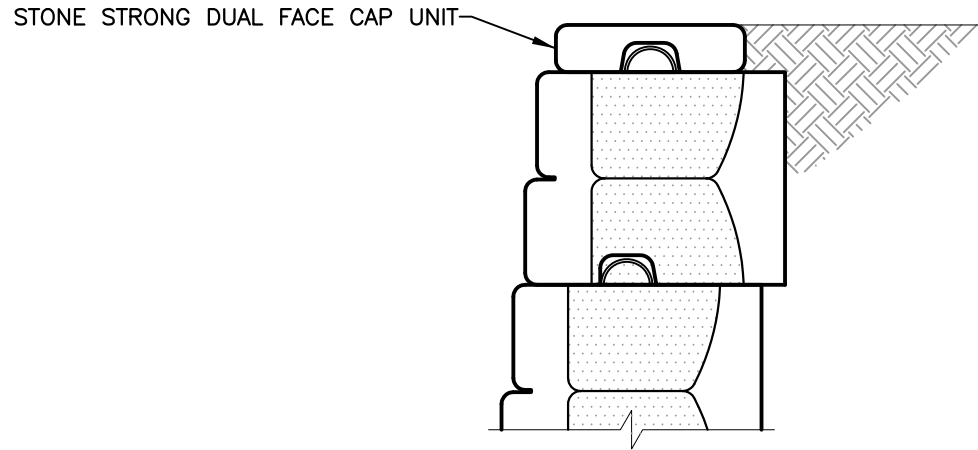
www.stonestrong.com

PROJECT

TYPICAL DETAILS
STONE STRONG SYSTEMS

DATE: 2/10/16 | FILE: 34_24sf.Sidewalk

NOTE:
CAP UNIT IS OPTIONAL. TOP OF WALL IS
FITTED w/TOP UNIT IN MOST APPLICATIONS.



STONE STRONG CAP UNIT

NOT TO SCALE

CHECK ON AVAILABILITY OF ALL UNITS w/ LOCAL PRODUCER/
DEALER. SOME UNITS MAY HAVE LIMITED AVAILABILITY.

DISCLAIMER:

These typical details are preliminary and conceptual in nature. They are provided for general information purposes only. Anyone making use of these details and related information does so at their own risk and assumes all liability for such use. Site specific design should be performed by a licensed Professional Engineer based on actual site conditions, materials, and local practices.

Stone Strong LLC retains all common law, statutory, and other reserved rights to these drawings including the copyright. Limited license is granted to copy, reproduce, or modify the details to prepare construction drawings for Stone Strong retaining walls. Stone Strong LLC makes no warranties, either expressed or implied, of merchantability or fitness for any particular purpose, and accepts no responsibility for the accuracy, suitability, or completeness of information contained herein.

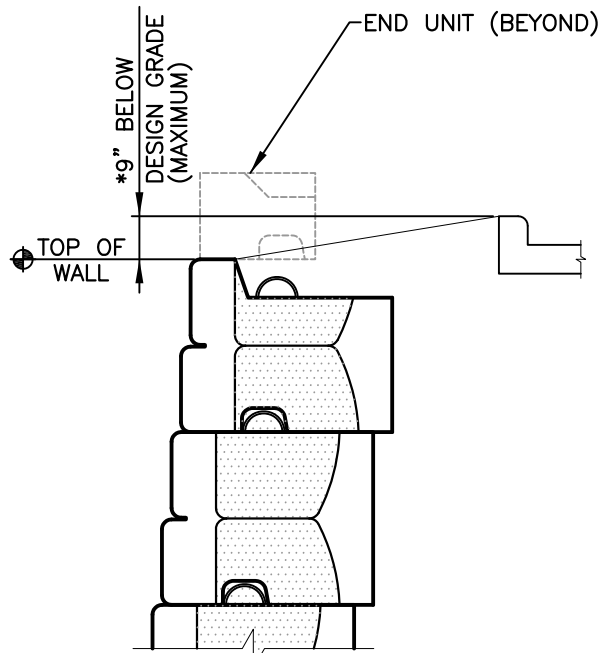


www.stonestrong.com

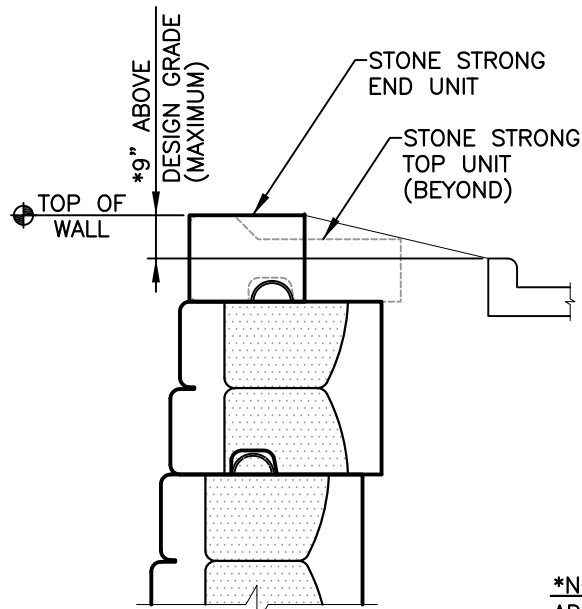
PROJECT

TYPICAL DETAILS
STONE STRONG SYSTEMS

DATE: 2/10/16 | FILE: 35_24sf.Cap.XSec



BELOW STEP



ABOVE STEP

TOP OF WALL TREATMENT
AT 18" WALL STEPS

NOT TO SCALE

***NOTE:**
ADJUST GRADE SPLIT BASED UPON
SPECIFIC PROJECT REQUIREMENTS.
6" ABOVE/12" BELOW SPLIT IS ALSO
COMMON. TURN END UNIT TO RETURN
4' IF THERE ARE NO NEARBY OBSTACLES.

DISCLAIMER:

These typical details are preliminary and conceptual in nature. They are provided for general information purposes only. Anyone making use of these details and related information does so at their own risk and assumes all liability for such use. Site specific design should be performed by a licensed Professional Engineer based on actual site conditions, materials, and local practices.

Stone Strong LLC retains all common law, statutory, and other reserved rights to these drawings including the copyright. Limited license is granted to copy, reproduce, or modify the details to prepare construction drawings for Stone Strong retaining walls. Stone Strong LLC makes no warranties, either expressed or implied, of merchantability or fitness for any particular purpose, and accepts no responsibility for the accuracy, suitability, or completeness of information contained herein.

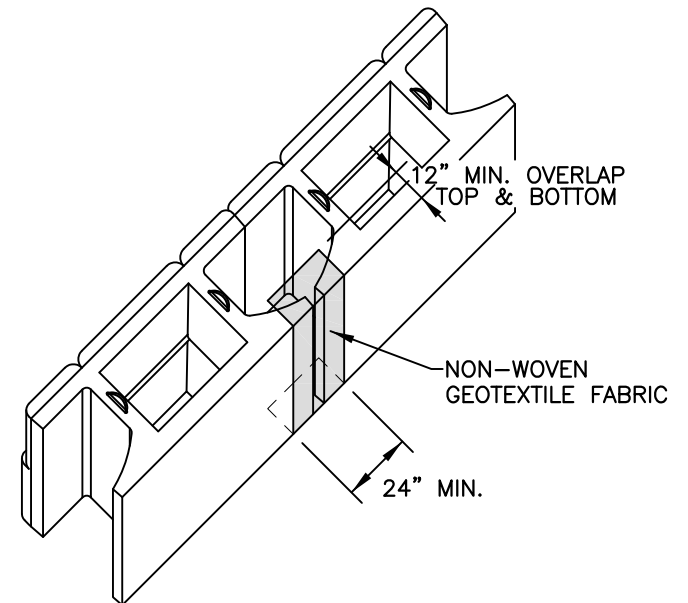
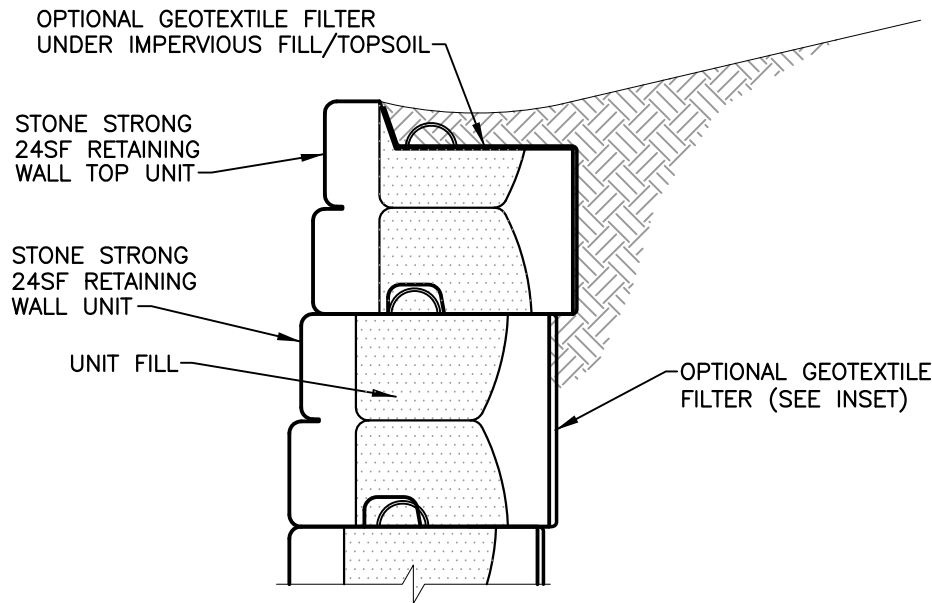


www.stonestrong.com

PROJECT

TYPICAL DETAILS
STONE STRONG SYSTEMS

DATE: 2/10/16 | FILE: 36_24sf.GradeSplit



OPTIONAL GEOTEXTILE FILTER

NOT TO SCALE

DISCLAIMER:

These typical details are preliminary and conceptual in nature. They are provided for general information purposes only. Anyone making use of these details and related information does so at their own risk and assumes all liability for such use. Site specific design should be performed by a licensed Professional Engineer based on actual site conditions, materials, and local practices.

Stone Strong LLC retains all common law, statutory, and other reserved rights to these drawings including the copyright. Limited license is granted to copy, reproduce, or modify the details to prepare construction drawings for Stone Strong retaining walls. Stone Strong LLC makes no warranties, either expressed or implied, of merchantability or fitness for any particular purpose, and accepts no responsibility for the accuracy, suitability, or completeness of information contained herein.



www.stonestrong.com

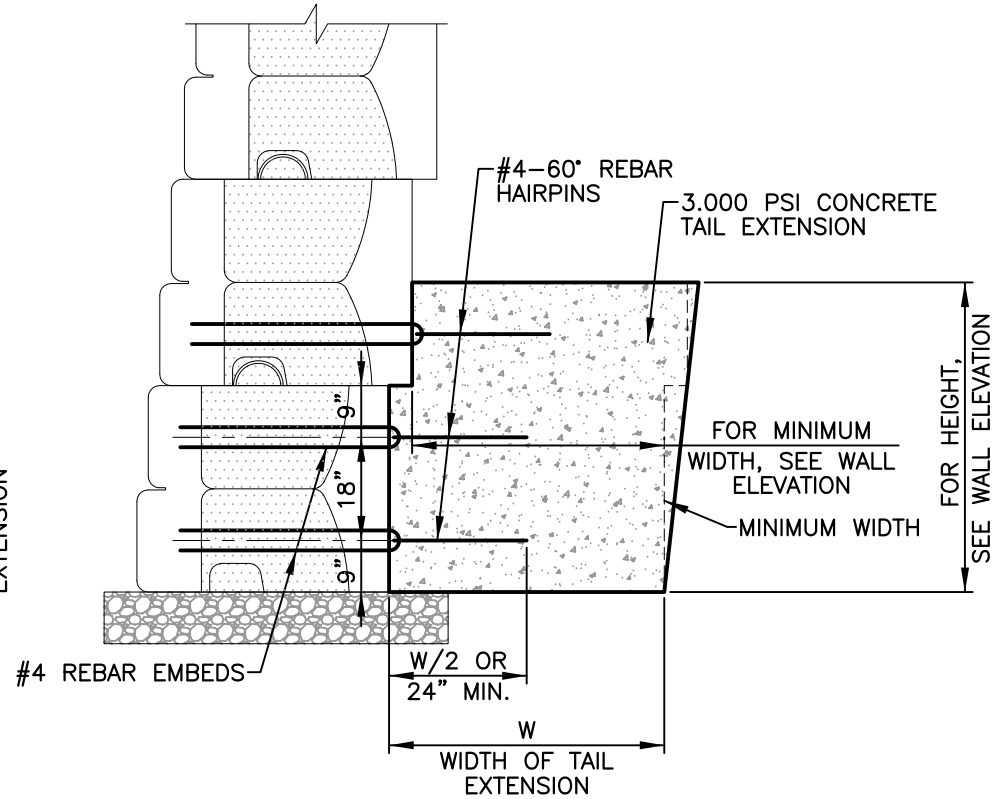
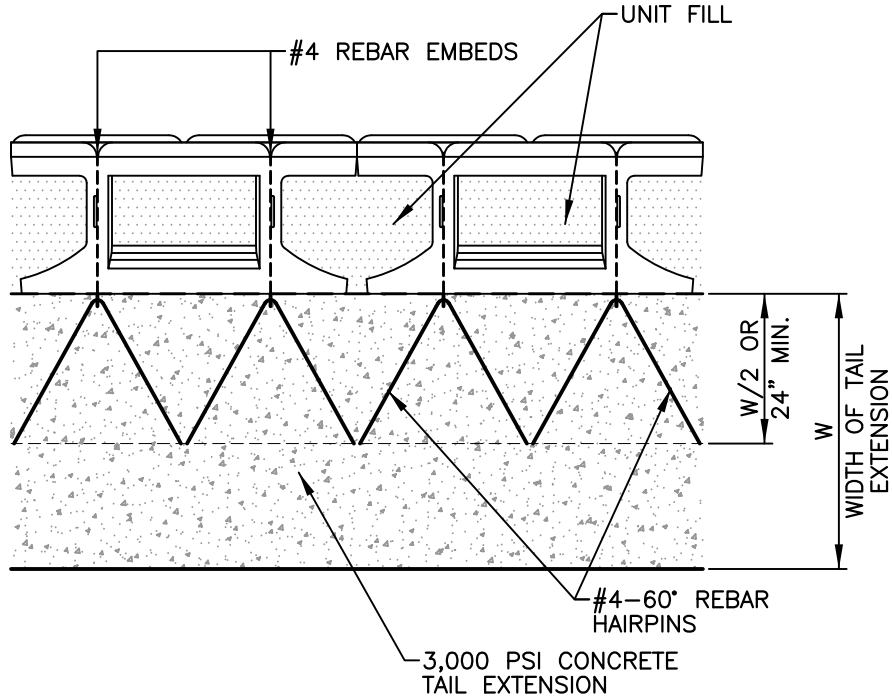
PROJECT

TYPICAL DETAILS
STONE STRONG SYSTEMS

DATE: 2/10/16 FILE: 37_24sf.XSec.Filter

NOTE:

USE REBAR-TIED TAIL EXTENSIONS
ON CONVEX CURVES OR TO ELIMINATE
CONCRETE IN VOID BETWEEN UNITS



24 SF REBAR-TIED CONCRETE TAIL EXTENSION (CAST-IN-PLACE)

NOT TO SCALE

DISCLAIMER:

These typical details are preliminary and conceptual in nature. They are provided for general information purposes only. Anyone making use of these details and related information does so at their own risk and assumes all liability for such use. Site specific design should be performed by a licensed Professional Engineer based on actual site conditions, materials, and local practices.

Stone Strong LLC retains all common law, statutory, and other reserved rights to these drawings including the copyright. Limited license is granted to copy, reproduce, or modify the details to prepare construction drawings for Stone Strong retaining walls. Stone Strong LLC makes no warranties, either expressed or implied, of merchantability or fitness for any particular purpose, and accepts no responsibility for the accuracy, suitability, or completeness of information contained herein.



www.stonestrong.com

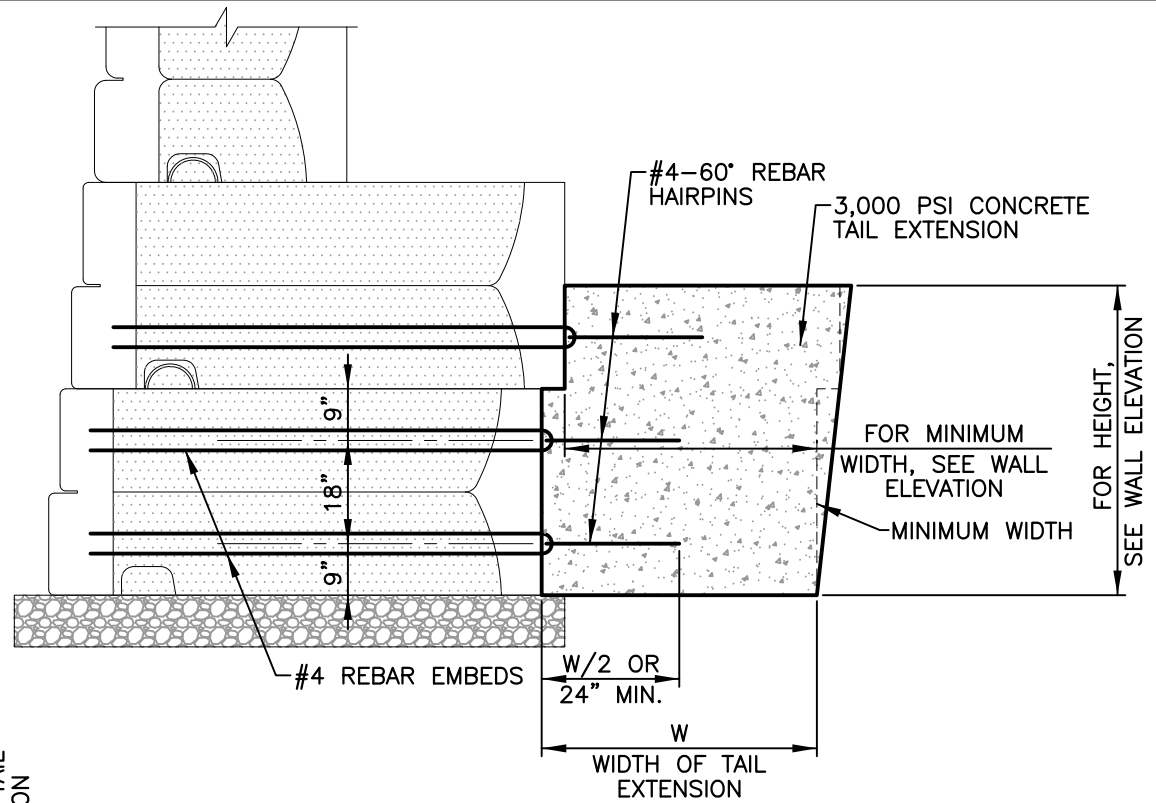
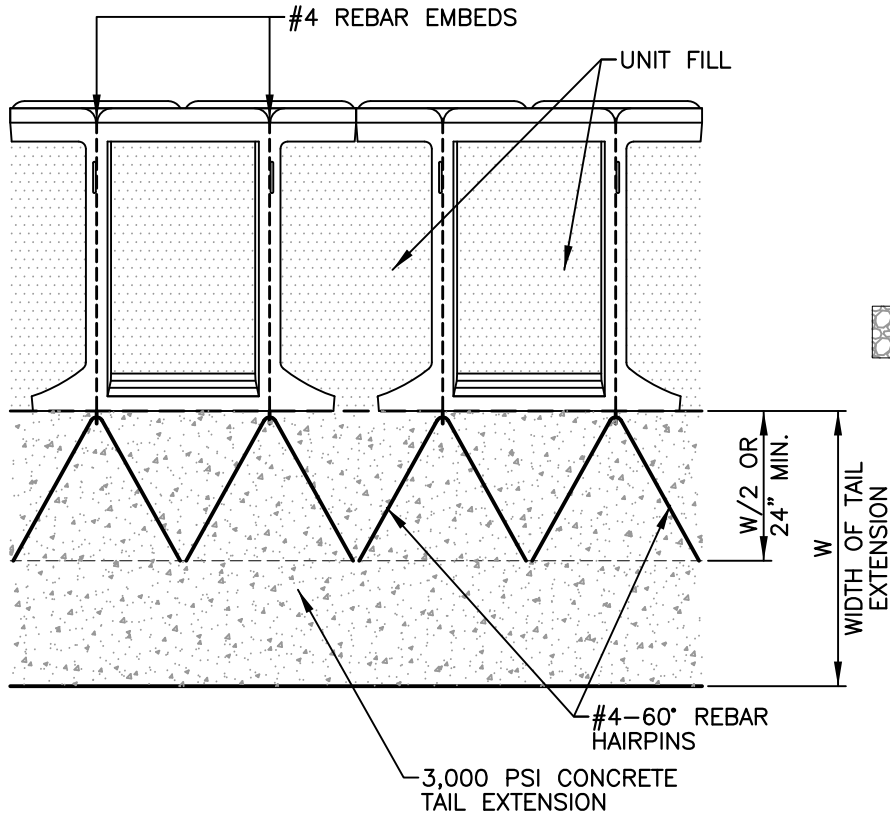
PROJECT

TYPICAL DETAILS
STONE STRONG SYSTEMS

DATE: 12/15/16 | FILE: 38_24 SF TailExt.RebarTied

NOTE:

USE REBAR-TIED TAIL EXTENSIONS
ON CONVEX CURVES OR TO ELIMINATE
CONCRETE IN VOID BETWEEN UNITS



24-86 REBAR-TIED CONCRETE TAIL EXTENSION (CAST-IN-PLACE)

NOT TO SCALE

DISCLAIMER:

These typical details are preliminary and conceptual in nature. They are provided for general information purposes only. Anyone making use of these details and related information does so at their own risk and assumes all liability for such use. Site specific design should be performed by a licensed Professional Engineer based on actual site conditions, materials, and local practices.

Stone Strong LLC retains all common law, statutory, and other reserved rights to these drawings including the copyright. Limited license is granted to copy, reproduce, or modify the details to prepare construction drawings for Stone Strong retaining walls. Stone Strong LLC makes no warranties, either expressed or implied, of merchantability or fitness for any particular purpose, and accepts no responsibility for the accuracy, suitability, or completeness of information contained herein.

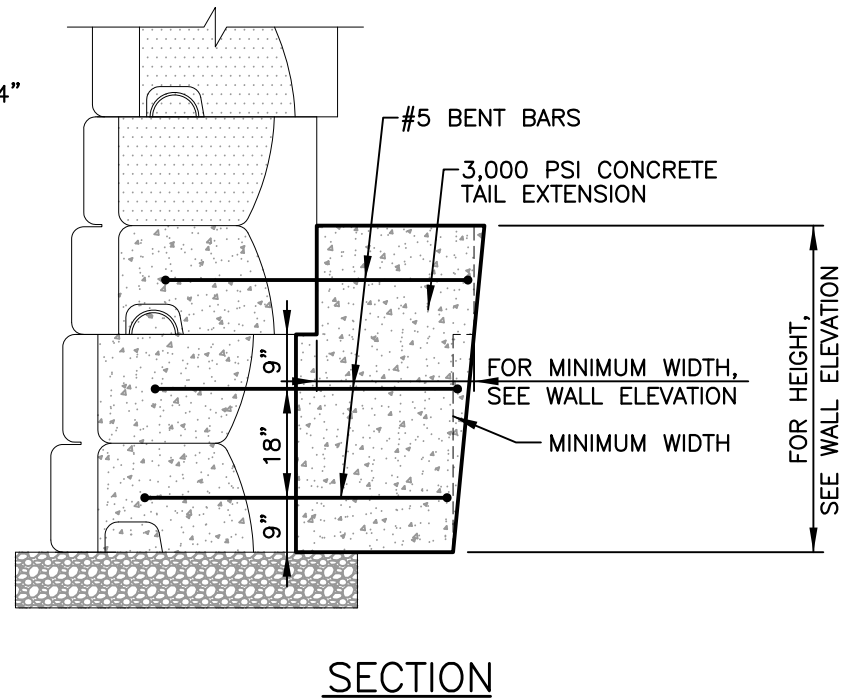
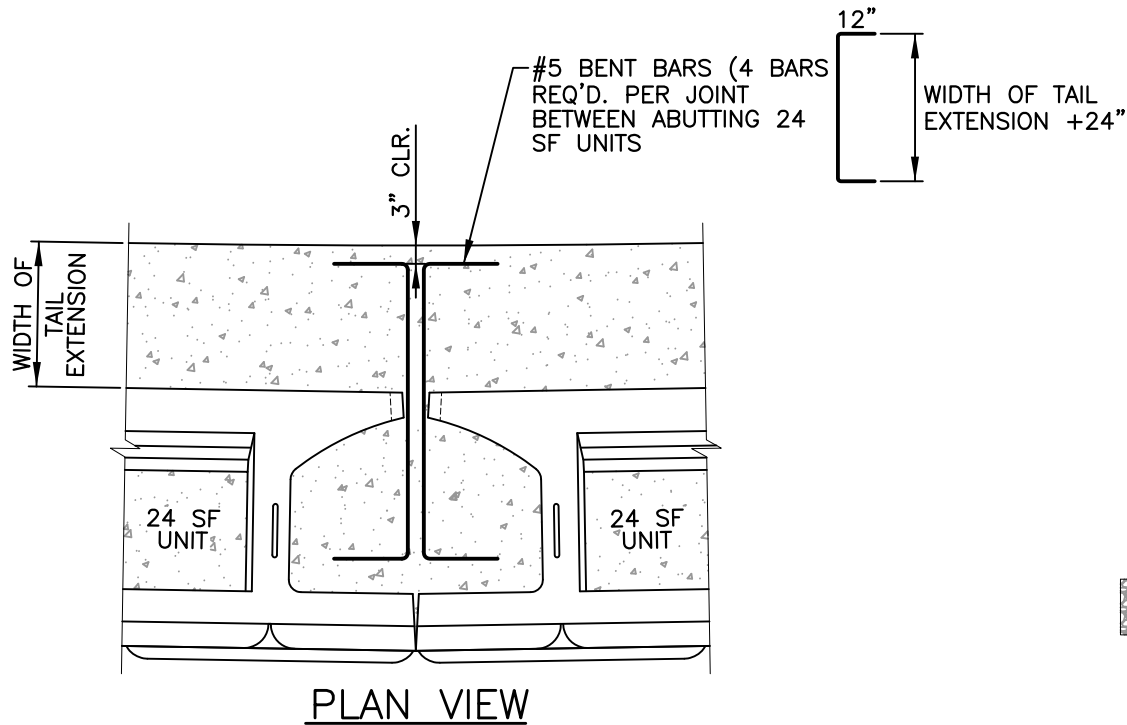


www.stonestrong.com

PROJECT

TYPICAL DETAILS
STONE STRONG SYSTEMS

DATE: 12/15/16 | FILE: 39_24-86 TailExt.RebarTied



C.I.P. TAIL EXTENSION CONNECTION FOR 24 SF UNITS
NOT TO SCALE

DISCLAIMER:

These typical details are preliminary and conceptual in nature. They are provided for general information purposes only. Anyone making use of these details and related information does so at their own risk and assumes all liability for such use. Site specific design should be performed by a licensed Professional Engineer based on actual site conditions, materials, and local practices.

Stone Strong LLC retains all common law, statutory, and other reserved rights to these drawings including the copyright. Limited license is granted to copy, reproduce, or modify the details to prepare construction drawings for Stone Strong retaining walls. Stone Strong LLC makes no warranties, either expressed or implied, of merchantability or fitness for any particular purpose, and accepts no responsibility for the accuracy, suitability, or completeness of information contained herein.



www.stonestrong.com

PROJECT

TYPICAL DETAILS
STONE STRONG SYSTEMS

DATE: 1/20/17 | FILE: 40_24 SF TailExtConnect