

SMARTBOB2 & TS1

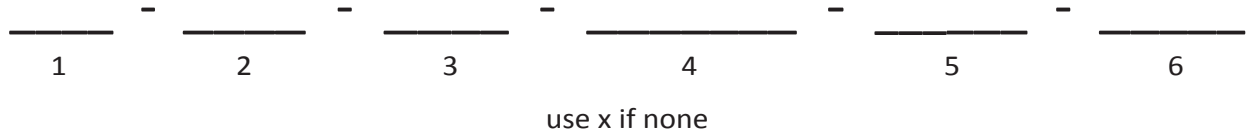


Prices Subject To Change Without Notice
Not responsible for errors or omissions
FOB Lincoln, Nebraska USA

7201 N. 98th St., Lincoln, NE 68507 • P.O. Box 29709, Lincoln, NE 68529
Phone: 800-278-4241 or 402-434-9102 • Fax: 402-434-9133
www.binmaster.com • info@binmaster.com

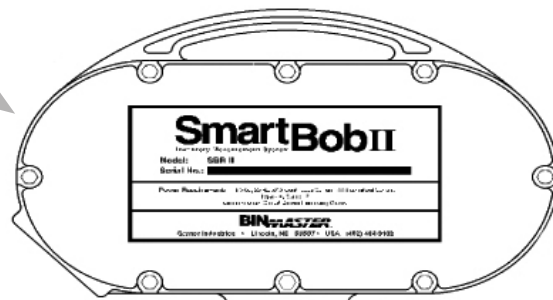
Configure SmartBob

Base - Cable - Probe - Mounting - Heater - Length



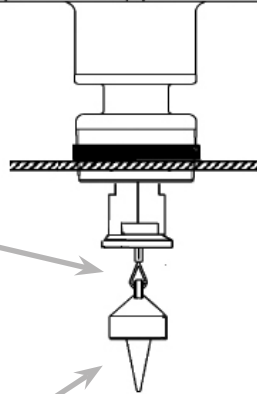
1. Base

- SBR II 115
- SBR II 230
- SBR II AO 115
- SBR AO 230



2. Cable

- C1: Nylon
- C2: Teflon
- C3: Bare
- C5: FDA Approved



3. Probe

- B1: SS Spike
- B2: 416 Magnetic Spike
- B3: 4" Cone
- B4: 6" Cone
- B5: Wax-filled Bottle
- B6: Empty Bottle
- B9: 6" Sphere
- B11: Glass Spike
- B14: Teflon Spike

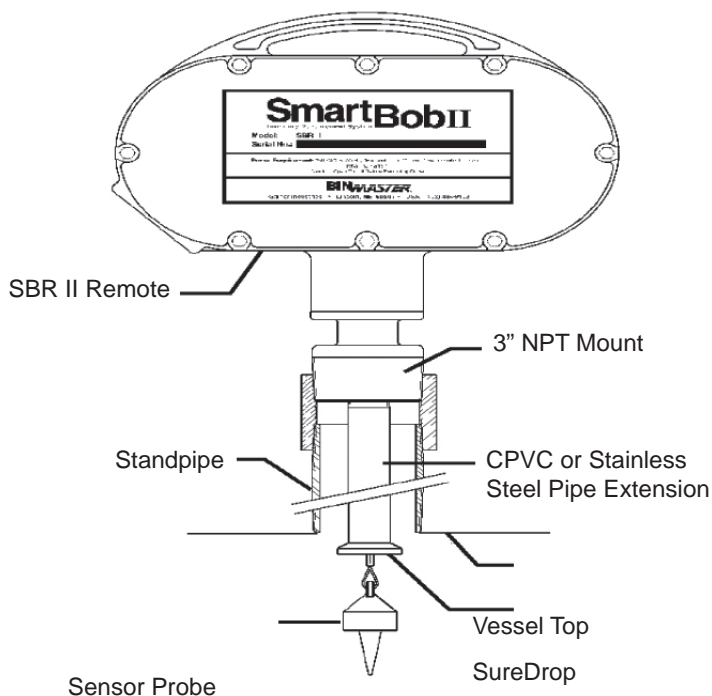
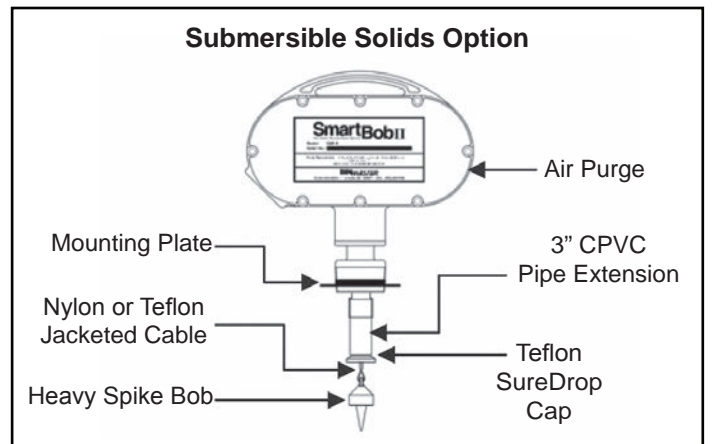
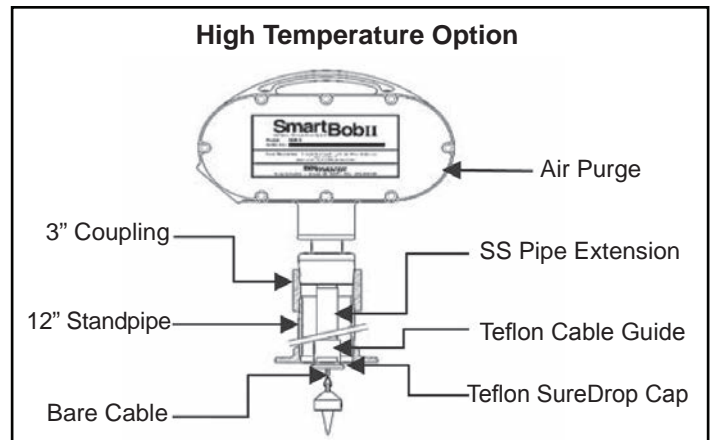
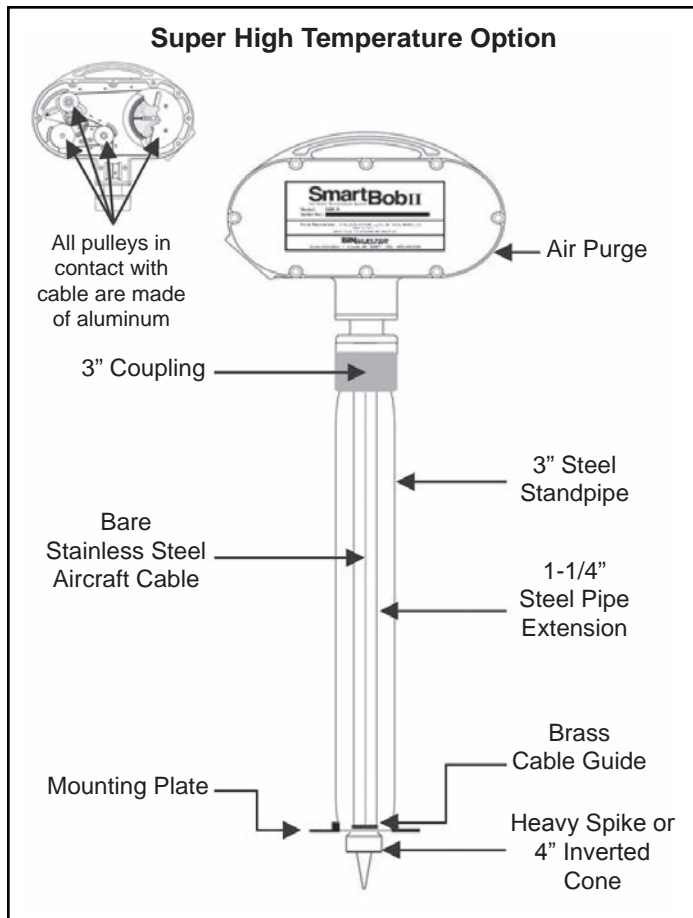
4. Mounting Plate

- M1: 0° Aluminum
- M2: 0° Powder-coated Steel
- M3: 5° Powder-coated Steel
- M4: 10° Powder-coated Steel
- M6: 15° Powder-coated Steel
- M7: 20° Powder-coated Steel
- M8: 24° Powder-coated Steel
- M5: 30° Powder-coated Steel
- M10: 35° Powder-coated Steel
- M9: 40° Powder-coated Steel

5. Heater

- H: 115 VAC
- H2: 230 VAC

Order Code	Description	List Price	Part Number
SmartBob II Base Model			
SBR II 115	SBR II 115 - Microprocessor-driven SmartBob2 remote sensor, 115 VAC, corrosion-resistant polycarbonate enclosure, air inlet port, hazardous location approved, C/US listed for Class II, Groups E, F, G	Call for Price	730-5038
SBR II 230	SBR II 230 - Microprocessor-driven SmartBob2 remote sensor, 230 VAC, corrosion-resistant polycarbonate enclosure, air inlet port, hazardous location approved, C/US listed for Class II, Groups E, F, G	Call for Price	730-5039
SBR AO 115	SBR AO 115 - Microprocessor-driven SmartBob2 AO remote sensor, 115 VAC, corrosion-resistant polycarbonate enclosure with integrated 4-20 mA output. The SmartBob AO is a stand-alone analog transmitter that includes automatic measurement initiation and two configurable relay outputs.	Call for Price	730-5154
SBR AO 230	SBR AO 230 - Microprocessor-driven SmartBob2 AO remote sensor, 230 VAC, corrosion-resistant polycarbonate enclosure with integrated 4-20 mA output. The SmartBob AO is a stand-alone analog transmitter that includes automatic measurement initiation and two configurable relay outputs.	Call for Price	730-5156
Cable			
C1	ft. of nylon jacketed 7 x 19 stainless steel cable for temperatures up to 250° with 270 lb. tensile strength and SureDrop system.	Call for Price	213-0019
C2	ft. of Teflon jacketed 7 x 19 stainless steel cable for temperatures up to 500° with 270 lb. tensile strength and SureDrop system.	Call for Price	213-0021
C3	ft. of bare 7 x 19 stainless steel cable for temperatures up to 1000° with 270 lb. tensile strength and SureDrop system.	Call for Price	213-0020
C5	ft. of FDA approved nylon jacketed 7 x 19 stainless steel cable for temperatures up to 250° with 270 lb. tensile strength and SureDrop system.	Call for Price	213-0025
Probe			
B1	Stainless steel heavy spike bob probe	Call for Price	416-0373
B2	416 Stainless steel heavy spike bob probe (magnetic)	Call for Price	416-0374
B3	Weighted 4" stainless steel inverted cone for light solids only	Call for Price	416-0375
B4	Hollow 6" stainless steel cone with light spring for liquid applications	Call for Price	416-0376
B5	Plastic sensing digestible bottle filled with 32 oz. of paraffin wax (for SBR II only)	Call for Price	416-0377
B6	Plastic sensing digestible bottle empty, to be filled with 32 oz. of material in field	Call for Price	416-0378
B9	6" Stainless steel sphere float for liquid, slurry, and light powder applications	Call for Price	416-0546
B11	Glass spike bob filled with 32 oz. of sand	Call for Price	299-0835
B14	Teflon coated stainless steel heavy spike bob probe	Call for Price	416-0695
Mounting Plate			
M1	0° Mounting plate, 3" NPT, powder coated forged aluminum, 5.13" diameter bolt circle	Call for Price	299-0064
M2	0° Mounting plate, 3" NPT, powder coated carbon steel, 7" diameter bolt circle	Call for Price	416-0295
M3	5° Mounting plate, 3" NPT, powder coated carbon steel, 7" diameter bolt circle	Call for Price	416-0296
M4	10° Mounting plate, 3" NPT, powder coated carbon steel, 7" diameter bolt circle	Call for Price	416-0297
M6	15° Mounting plate, 3" NPT, powder coated carbon steel, 7" diameter bolt circle	Call for Price	416-0397
M7	20° Mounting plate, 3" NPT, powder coated carbon steel, 7" diameter bolt circle	Call for Price	416-0424
M8	24° Mounting plate, 3" NPT, powder coated carbon steel, 7" diameter bolt circle	Call for Price	416-0363
M5	30° Mounting plate, 3" NPT, powder coated carbon steel, 7" diameter bolt circle	Call for Price	416-0298
M10	35° Mounting plate, 3" NPT, powder coated carbon steel, 7" diameter bolt circle	Call for Price	416-0634
M9	40° Mounting plate, 3" NPT, powder coated carbon steel, 7" diameter bolt circle	Call for Price	416-0402
Heater			
H	SmartBob2 motor gearbox heater 10W, 115 VAC	Call for Price	530-0387-A
H2	SmartBob2 motor gearbox heater 10W, 230 VAC	Call for Price	530-0577
SmartBob Options			
HT	SmartBob2 high temperature option for process temperatures above 250°F and not to exceed 500°F. Includes a 12" long, 3" diameter galvanized pipe standoff to extend the remote sensor away from heat source, a 1" stainless steel pipe extension fitted with a Teflon cable guide keeps the sensor probe out of the standpipe and level with the vessel top.	Call for Price	416-0365
SHT	SmartBob2 super high temperature option for process temperatures above 500°F and not to exceed 1000°F. Includes a 36" long, 3" diameter galvanized pipe standoff to extend the remote sensor away from heat source, a 1-1/4" galvanized pipe extension fitted with a bronze cable guide keeps the sensor probe out of the standpipe and level with the vessel top. All Delrin pulleys are replaced with aluminum pulleys in the super high temperature option.	Call for Price	416-0560
SS	SmartBob2 vemsible solids option lowers a weighted heavy stainless steel spike bob from the top of a vessel, diving through the liquid to measure the submersed solids in the liquid. Includes a 3" CPVC pipe extension.	Call for Price	416-0561
HM	SmartBob2 horizontal mounting option.	Call for Price	416-0657



The CPVC pipe extension is an optional feature that is screwed to the 3" NPT SmartBob2 mount. The pipe extension keeps the sensor probe from being pulled up into the standpipe, functions as a bushing, and keeps the cable from fraying on sharp objects if the sensor probe swings while taking a measurement. It also functions to keep the sensor probe flush with the vessel top. The extension pipes are available in CPVC, galvanized pipe, or stainless steel. They are available in custom lengths from 4" to 20'. The reason for a longer extension is so the SmartBob2 remote can be mounted on a catwalk above the vessel and the sensor probe extended down to the vessel top for easy access to the remote.

Configure SmartBob TS1

Base - Cable - Probe - Mounting - Heater

_____ - _____ - _____ - _____ - _____
 1 2 3 4 5
 use x if none

1. Base

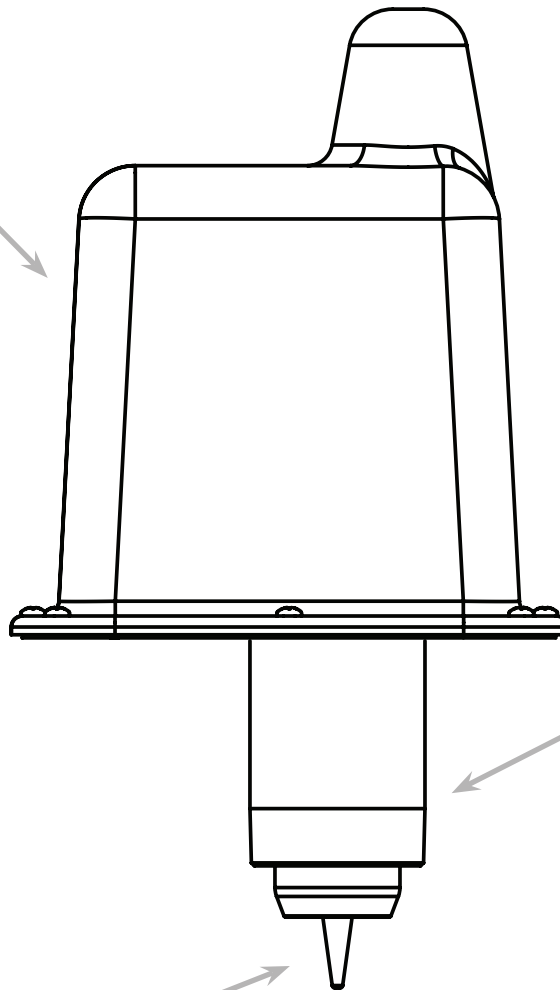
TS1-60 115
TS1-60 230

2. Cable

C4: Braided Nylon

3. Probe

B10: Poly Spike Bob
B7: Digestible Bottle
B8: 5" Sphere



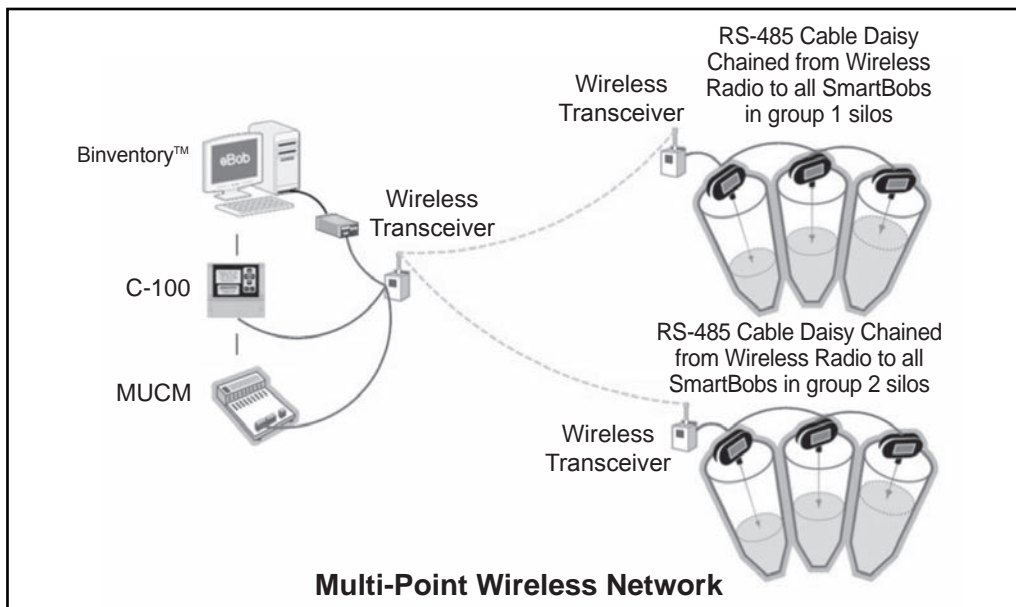
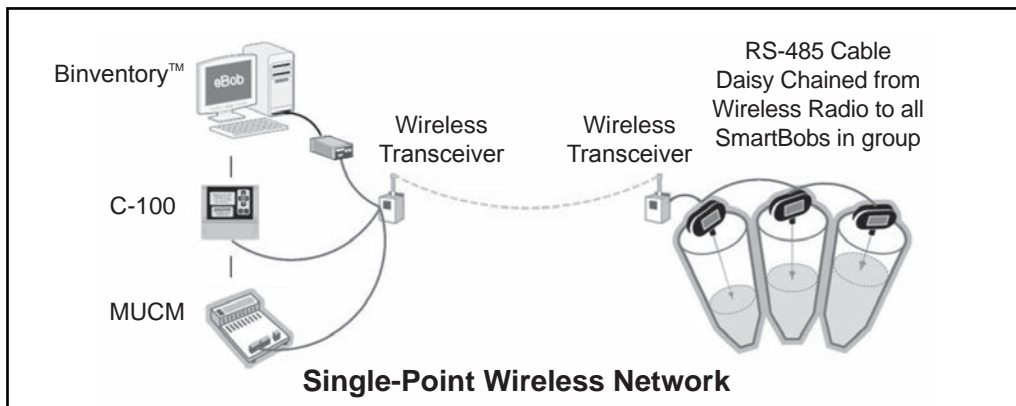
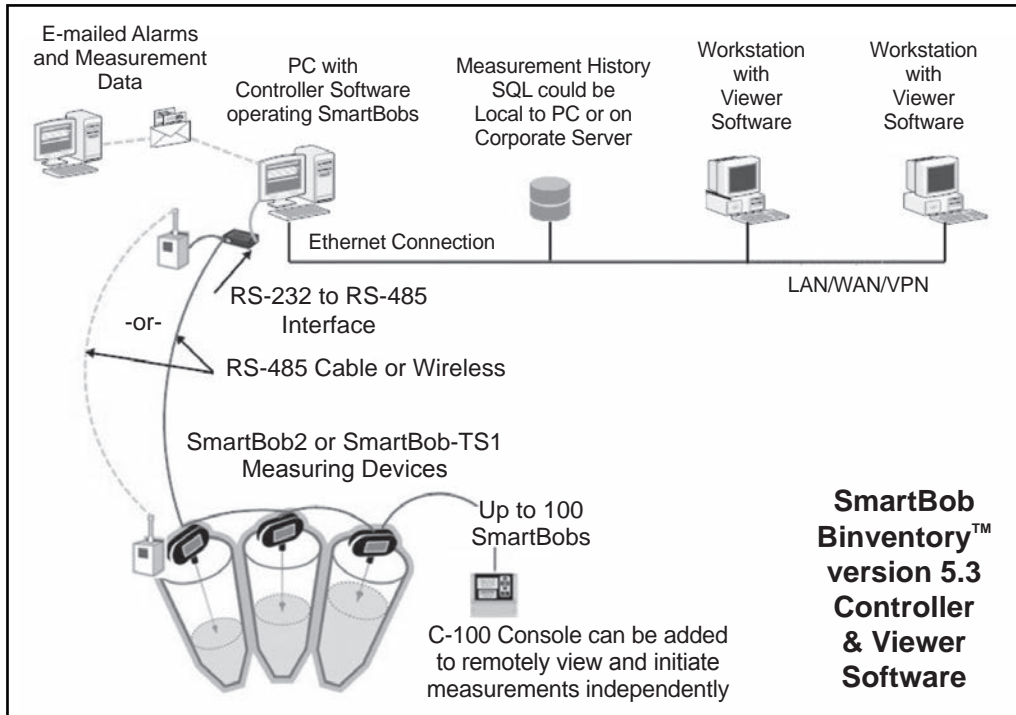
4. Mounting Plate

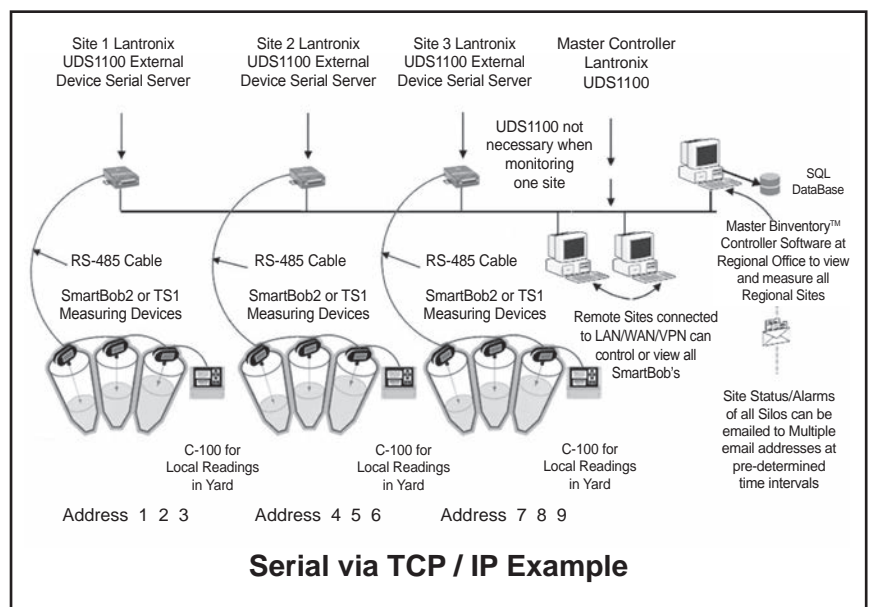
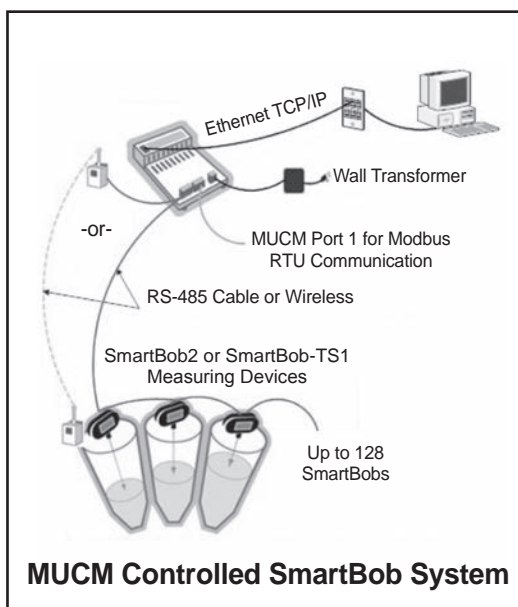
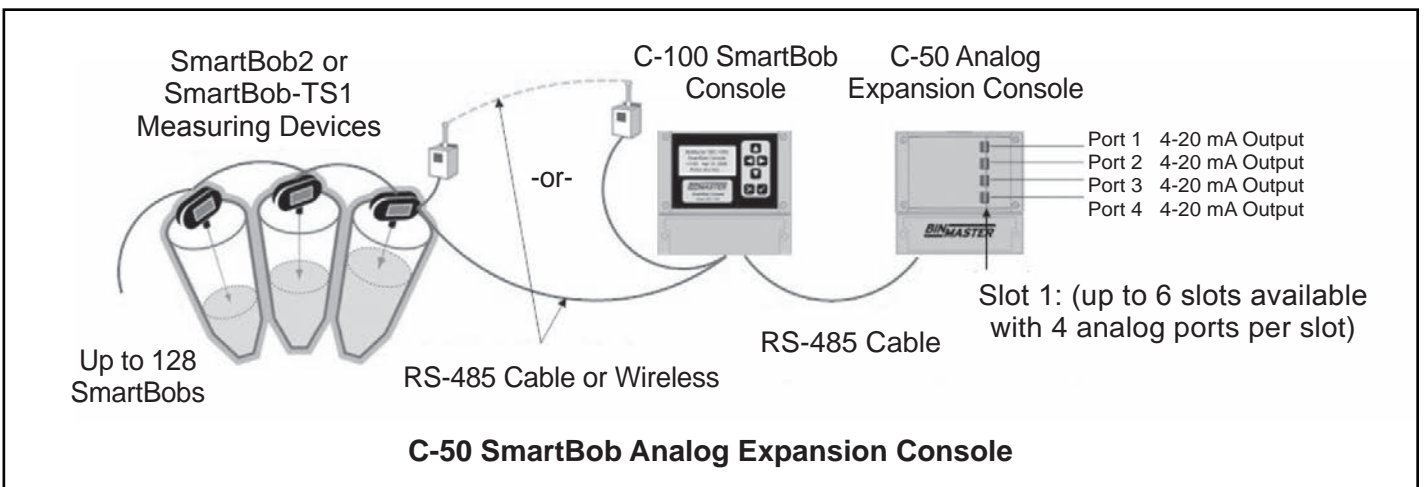
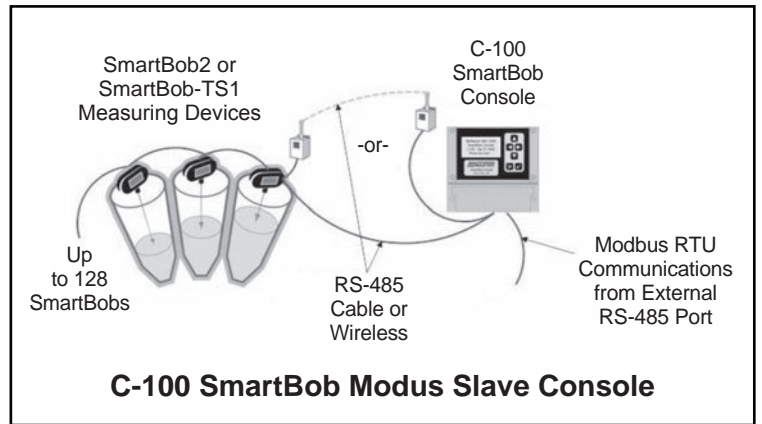
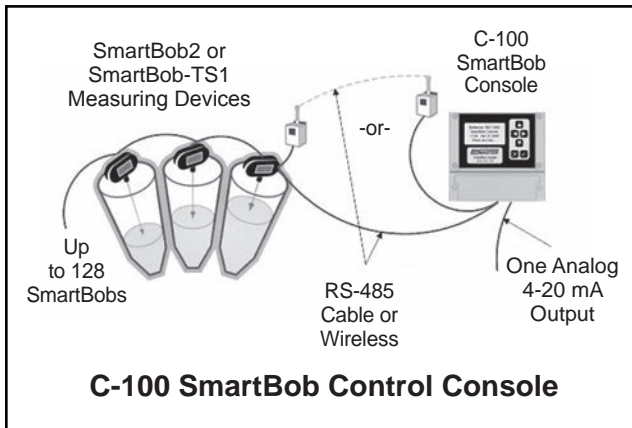
MF1: 0° Aluminum
MF2: 0° Powder-coated Steel
MF3: 5° Powder-coated Steel
MF4: 10° Powder-coated Steel
MF5: 15° Powder-coated Steel
MF6: 30° Powder-coated Steel
MF7: 30° w/6" Standpipe
MF9: 35° Powder-coated Steel
MF8: 40° w/6" Standpipe
M12: 4-1/2" Standpipe
No Mounting Plate

5. Heater

H: 115 VAC

Order Code	Description	List Price	Part Number
SmartBob-TS1 Base Model			
TS1-60 115	TS1-60 115 - Microprocessor-driven SmartBob-TS1 remote sensor, 115 VAC, corrosion-resistant, rotomolded polyethylene enclosure, 0 to 60' measuring range	Call for Price	730-5122
TS1-60 230	TS1-60 230 - Microprocessor-driven SmartBob-TS1 remote sensor, 230 VAC, corrosion-resistant, rotomolded polyethylene enclosure, 0 to 60' measuring range	Call for Price	730-5123
Cable			
C4	ft. of braided nylon cable.	Call for Price	213-0007
Probe			
B10	Polyethylene weighted spike bob	Call for Price	416-0558
B7	Plastic sensing digestible bottle filled with 16 oz. of paraffin wax	Call for Price	416-0454
B8	Hollow 5" stainless steel spherical float for liquid or light powder applications	Call for Price	416-0456
Mounting Plate			
MF1	0° Mounting plate, 3" NPT, powder coated forged aluminum, 5.13" diameter bolt circle	Call for Price	416-0460
MF2	0° Mounting plate, 3" NPT, powder coated carbon steel, 7" diameter bolt circle	Call for Price	416-0461
MF3	5° Mounting plate, 3" NPT, powder coated carbon steel, 7" diameter bolt circle	Call for Price	416-0462
MF4	10° Mounting plate, 3" NPT, powder coated carbon steel, 7" diameter bolt circle	Call for Price	416-0463
MF5	15° Mounting plate, 3" NPT, powder coated carbon steel, 7" diameter bolt circle	Call for Price	416-0464
MF6	30° Mounting plate, 3" NPT, powder coated carbon steel, 7" diameter bolt circle	Call for Price	416-0465
MF7	30° Mounting plate with welded 6" standpipe	Call for Price	416-0466
MF9	35° Mounting plate, 3" NPT, powder coated carbon steel, 7" diameter bolt circle	Call for Price	416-0660
MF8	40° Mounting plate with welded 6" standpipe	Call for Price	416-0467
M12	4-1/2" Standpipe with no mounting plate, 4-1/2" long	Call for Price	416-0459
Heater			
H	SmartBob-TS1 motor gearbox heater 15W, 115 VAC	Call for Price	530-0517
Wireless Transceiver			
WT	SmartBob-TS1 built-in 900 MHz wireless transceiver	Call for Price	530-0523
ZBM	SmartBob-TS1 built-in ZigBee module	Call for Price	530-0620





Order Code	Description	List Price	Part Number
SmartBob Communication Cable			
Data Cable	ft. of Allen-Bradley blue hose RS-485 data cable, 20 AWG shielded twin axial, twisted pair, low capacitance, Belden #9463 or equivalent.	Call for Price	398-0090
Lightning Surge Protection			
LSP-RS-485	RS-485 surge suppression kit. Recommended for lightning protection for outdoor RS-485 communications cable. Kit includes three-stage suppressor in a NEMA 4 enclosure and application guide.	Call for Price	530-0579
Pipe Extensions			
SBPE-1	in. of SBPE-1 - CPVC 1" pipe extension.	Call for Price	416-0324
SBPE-2	in. of SBPE-2 - Stainless steel 1" pipe extension with Teflon cable guide.	Call for Price	416-0325
FC-1	Female/female coupler, 3"-8 NPT galvanized	Call for Price	175-0123
PE-12	Pipe extension 3" NPT X 12" long	Call for Price	175-0127
C-100 Control Consoles			
C-100	C-100 - Control console for 1 to 128 bins, wall mount console with LCD display, NEMA 4X, 16 VAC or 24 VDC. Measurement formats can be displayed as headroom percentage, headroom height, headroom weight, product percentage, product height and product weight. Vessel configuration and user settings are stored in non-volatile memory and will be retained during a power failure. The C-100 has one 4-20 mA output and remote start contact to provide a traditional interface to a PLC/DCS system for 1 SmartBob sensor.	Call for Price	730-5094
C-100-MB	C-100-MB - Modbus control console allows Modbus serial masters to gather data from SmartBob2 or SmartBob-TS1 sensors. Modbus protocol is defined as a master/slave protocol, meaning a device operating as a master (the host PC or PLC controller) will poll the Modbus control console operating as a slave. The master will write data to the control console registers, as well as read the data from the control console registers.	Call for Price	730-5124
C-50 Analog Expansion Consoles			
C-50	C-50 - Analog expansion box with vertical slots available for 6 analog cards (four 4-20 mA analog loops per card). Must be powered with 24 VDC.	Call for Price	730-5110
C-50AC	C-50 AC Analog Card	Call for Price	530-0596
Wall Transformers & Power Supply for C-100 & C-50			
XFMR-13	XFMR-13 - 100-230 VAC / 24 VDC, 15 W, switching power supply to power C-100	Call for Price	730-0318
XFMR-12	XFMR-12 - 115 VAC / 16 VAC wall transformer to power C-100	Call for Price	388-0039
PSDC-1	PSDC-1 - 24 VDC / 30 VA, NEMA 1 din rail mounted power supply	Call for Price	399-0022
PSDC-4	PSDC-4 - 24 VDC / 30 VA, NEMA 4X enclosure mounted power supply	Call for Price	730-0577
Universal Communication Modules & Communication Tophats			
MUCM	MUCM - SmartBob2 Momentum Universal Communication Module (MUCM) allows Modbus serial masters to gather data from SBR II remotes.	Call for Price	730-0480
ENT	MUCM Ethernet communication tophat	Call for Price	344-0001
PNT	MUCM Modbus plus communication tophat	Call for Price	344-0002
LNT	MUCM DeviceNet communication tophat	Call for Price	344-0003
DNT	MUCM Profibus communication tophat	Call for Price	344-0004
XFMR-14	XFMR-14 - MUCM wall mounted power supply	Call for Price	388-0049
UESP211	UESP211 - TCP-IP to serial communication adapter	Call for Price	344-0006
MESR901	MESR901 - gateway bridge can be used to integrate the C-100MB (Modbus serial master) on a Modbus TCP/IP network. With Modbus TCP/IP, the message is "wrapped" and sent over a computer network instead of serial data cables.	Call for Price	344-0011

Order Code	Description	List Price	Part Number
Binventory Software			
VER 5.3 Controller Software	Binventory controller software with graphical display and inventory history in a SQL database for up to 99 SBR II remote sensors.	Call for Price	730-0537
VER 5.3 Viewer Software	Binventory Client Viewer software allows multiple-user updating through a GUI front end to a shared SQL database. One Binventory client software package is required per site where the Binventory server software is running. The Binventory client software can be installed on up to five PCs.	Call for Price	730-0538
RS-485-NT	RS-232 to RS-485 interface used to connect computer serial port to RS-485 network when using Binventory software.	Call for Price	730-0202
RS-485USBI	Isolated USB to RS-485 converter used to connect USB port to RS-485 network.	Call for Price	530-0174
RS-485-USBM	Mini USB	Call for Price	530-0570
Wireless Transceivers & Accessories			
WT1-19	WTI-19 - Indoor wireless transceiver unit with 4dBi omnidirectional antenna and cable adapter, 115 VAC power supply, and standard RS-232C DB-9 (female) connector	Call for Price	730-0443
WL-19	WL-19 - Indoor / outdoor standard (-20°F to +140°F) wireless transceiver unit NEMA 4X with 4dBi omnidirectional antenna, selectable 115 VAC / 230 VAC, RS-485 connection terminal	Call for Price	730-0514
WL-19D	WL-19 - Indoor / outdoor standard (-20°F to +140°F) wireless transceiver unit NEMA 4X with 900 MHz directional Yagi antenna, selectable 115 VAC / 230 VAC, RS-485 connection terminal	Call for Price	730-0515
WL-LAK	WL-LAK - Lightning arrestor kit. Recommended as additional protection for antennas mounted	Call for Price	530-0534
YDA	YDA - Yagi directional antenna	Call for Price	730-0431